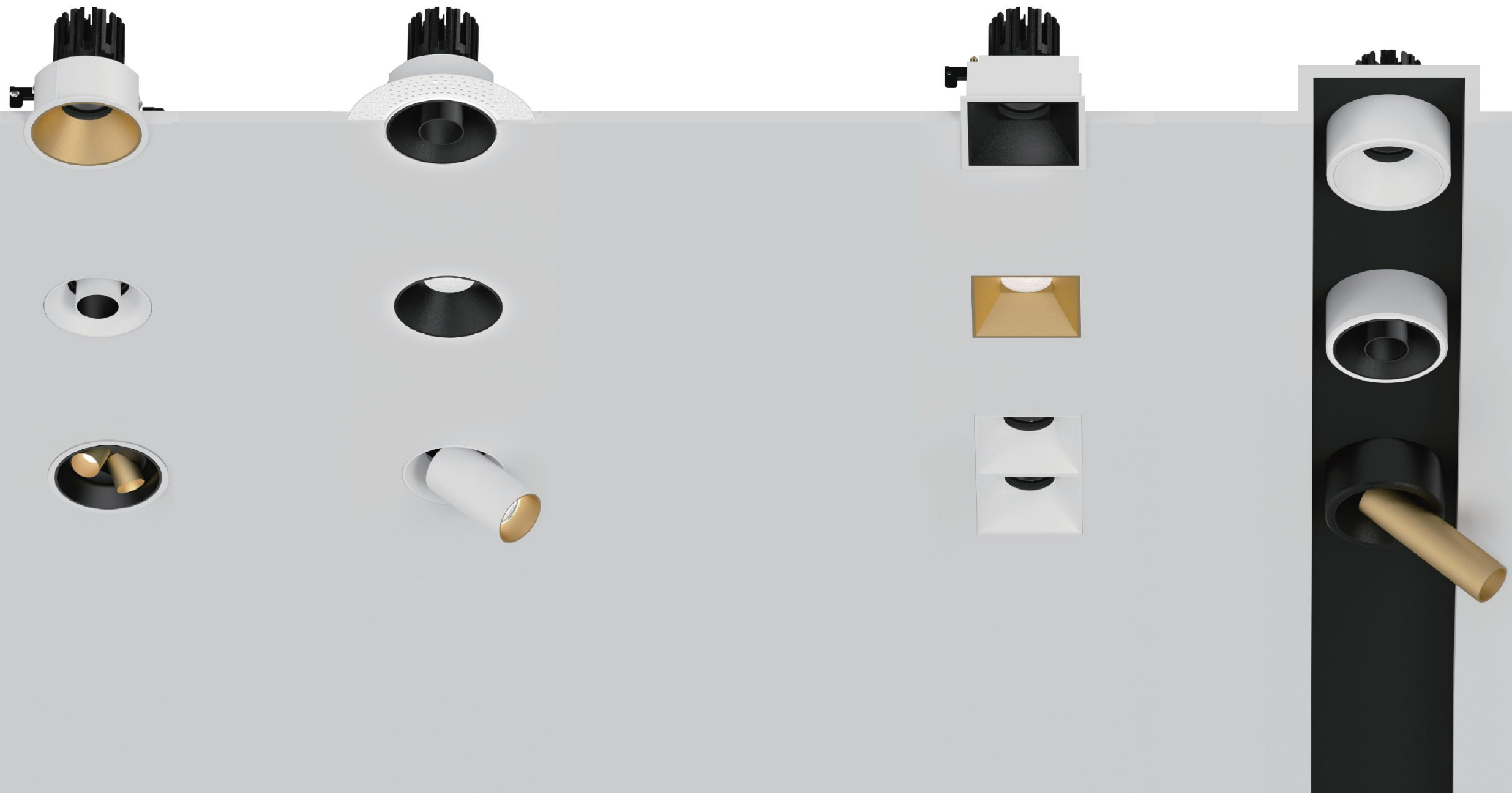


# P.Geek 3"



## P.GEEK 3"

- Round and square. Trim, trimless and semi-recessed. Fixed, adjustable, stretchable, snout, and twins spot
- With magnetic fixing structure, the modules are easy installed and maintained



# P.Geek 3"

Standard Structure



**Cold-forging Heat Sink**  
 Twice heat dissipation of the die-casting  
 Pure Aluminium  
 Formed by Cold-forging and CNC  
 Anodizing finishing



**COB LED Chip**  
 Bridgelux CRI 90Ra  
 Deep hidden light source, anti-glare



Optic lens



Component for Vertical 25° Adjusting



Component for Horizontal 360° Adjusting



**Magnetic Fixing**  
 Permanent Rare Earth Magnet  
 Easily assemble and disassemble,  
 leaving an entrance for future driver  
 maintenance, without harm to gypsum ceiling



**Aluminium Reflector**

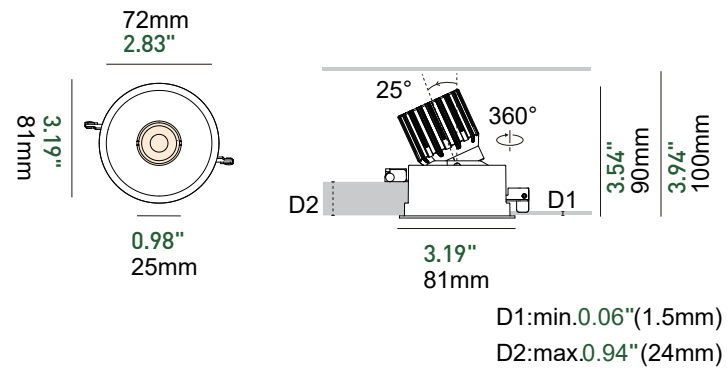
Much better lighting distribution than plastic.



P.system	I (led)	Beam Angle	CRI	CCT	Lumens
15W	350mA	25°	Ra97	2700K	762.0lm
				3000K	814.5lm
				4000K	925.0lm
15W	350mA	35°	Ra90	2700K	1239.3lm
				3000K	1291.8lm
				4000K	1402.3lm
15W	350mA	50°	Ra90	2700K	1331.7lm
				3000K	1384.2lm
				4000K	1494.7lm



Light Source	Input Voltage	CRI	UGR	Shielding Angle
LED COB	DC36V	90Ra/97Ra	< 13	50°



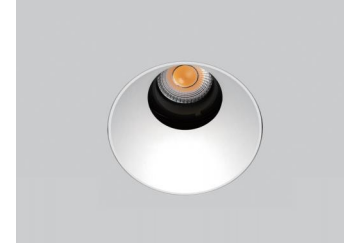
With Trim



Accessories



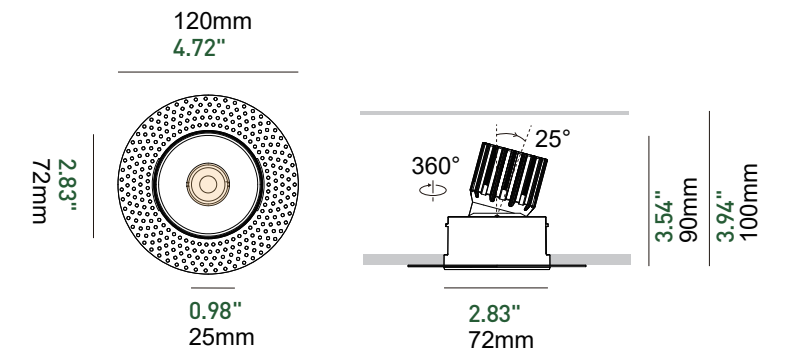
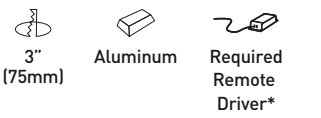
Driver: 120-277Vac ON-OFF | TRIAC | 0/1-10V | DALI



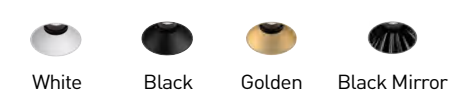
P.system	I (led)	Beam Angle	CRI	CCT	Lumens
15W	350mA	25°	Ra97	2700K	762.0lm
				3000K	814.5lm
				4000K	925.0lm
15W	350mA	35°	Ra90	2700K	1239.3lm
				3000K	1291.8lm
				4000K	1402.3lm
15W	350mA	50°	Ra90	2700K	1331.7lm
				3000K	1384.2lm
				4000K	1494.7lm



Light Source	Input Voltage	CRI	UGR	Shielding Angle
LED COB	DC36V	90Ra/97Ra	< 13	50°



Trimless



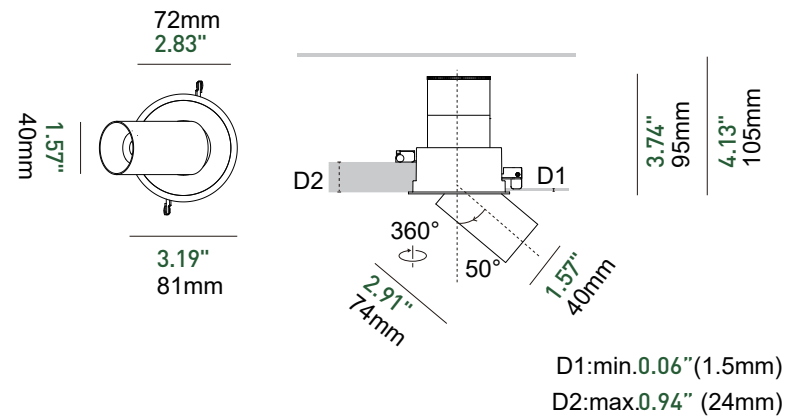
Driver: 120-277Vac ON-OFF | TRIAC | 0/1-10V | DALI



P.system	I (led)	Beam Angle	CRI	CCT	Lumens
10W	250mA	25°	97Ra	2700K	490.5lm
				3000K	543.0lm
				4000K	653.5lm
10W	250mA	35°	90Ra	2700K	808.1lm
				3000K	860.6lm
				4000K	971.1lm



Light Source	Input Voltage	CRI	UGR	Shielding Angle
LED COB	DC36V	90Ra/97Ra	< 13	45°



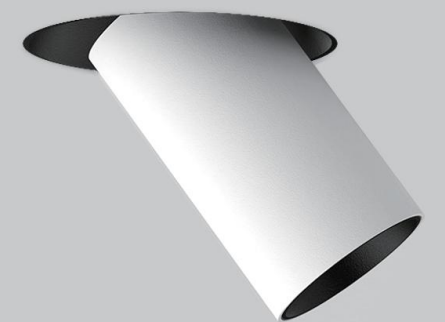
With Trim



Accessories

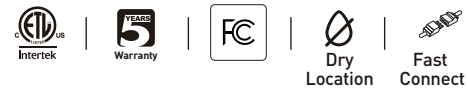


Driver: 120-277Vac ON-OFF | TRIAC | 0/1-10V | DALI

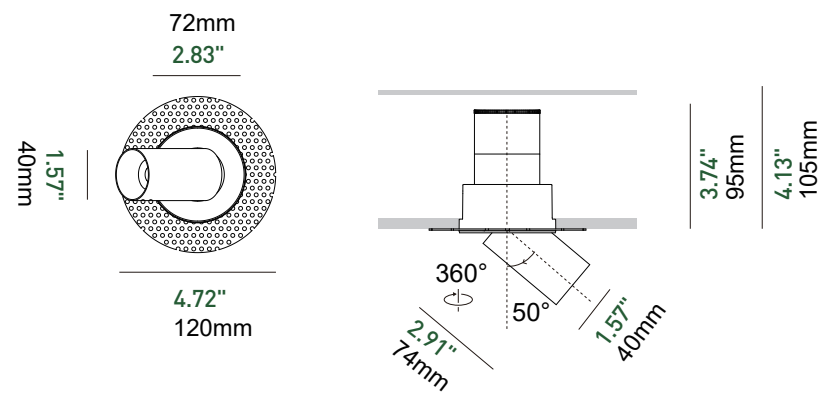




P.system	I (led)	Beam Angle	CRI	CCT	Lumens
10W	250mA	25°	97Ra	2700K	490.5lm
				3000K	543.0lm
				4000K	653.5lm
10W	250mA	35°	90Ra	2700K	808.1lm
				3000K	860.6lm
				4000K	971.1lm



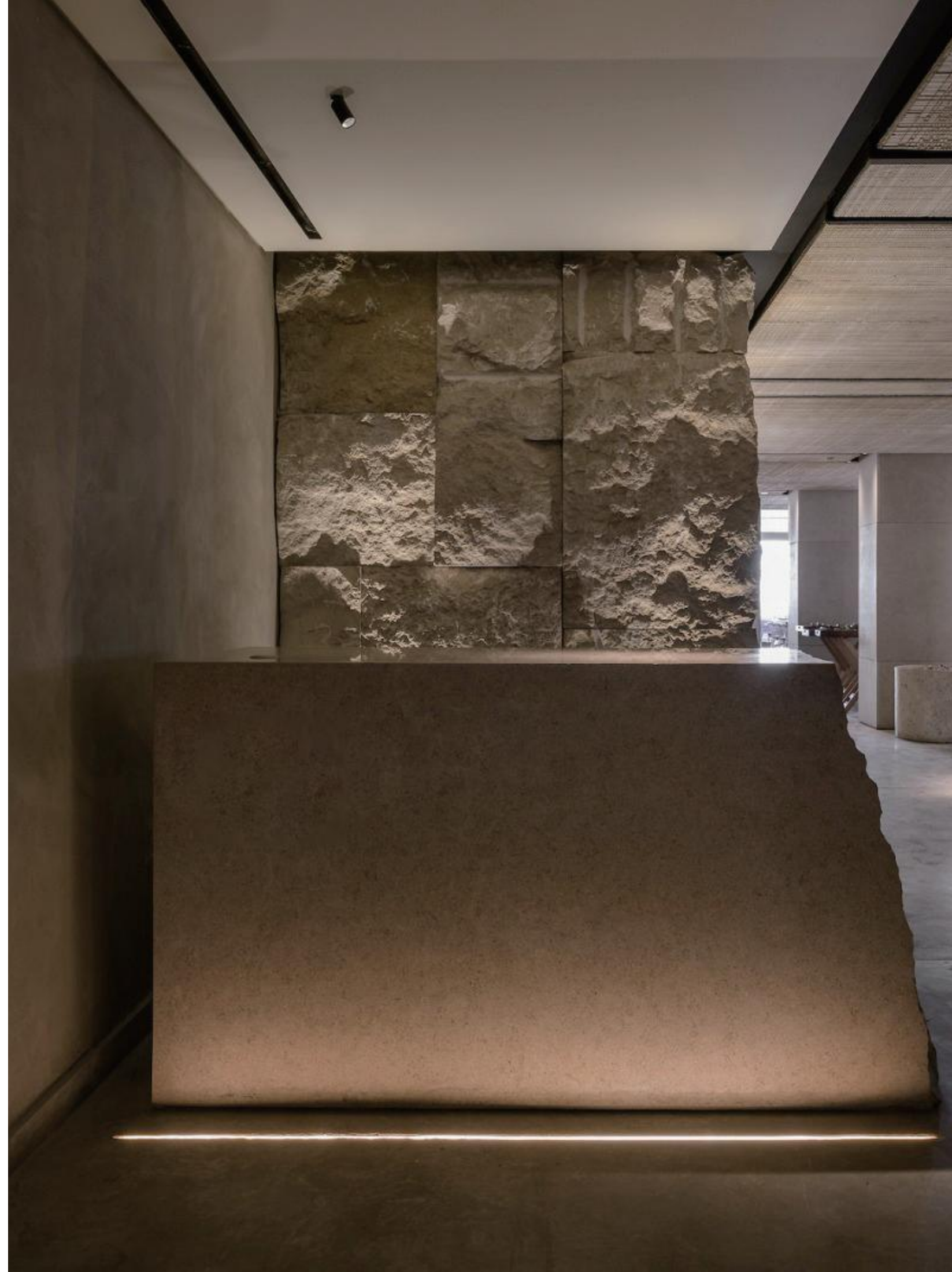
Light Source	Input Voltage	CRI	UGR	Shielding Angle
LED COB	DC36V	90Ra/97Ra	< 13	45°



Trimless



Driver: 120-277Vac ON-OFF | TRIAC | 0/1-10V | DALI

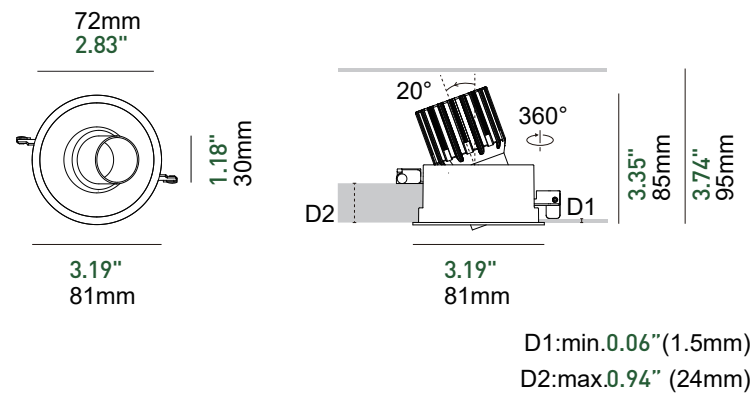




P.system	I (led)	Beam Angle	CRI	CCT	Lumens
15W	350mA	25°	97Ra	2700K	762.0lm
				3000K	814.5lm
				4000K	925.0lm
15W	350mA	35°	90Ra	2700K	1239.3lm
				3000K	1291.8lm
				4000K	1402.3lm



Light Source	Input Voltage	CRI	UGR	Shielding Angle
LED COB	DC36V	90Ra/97Ra	<9	67°



With Trim



Accessories



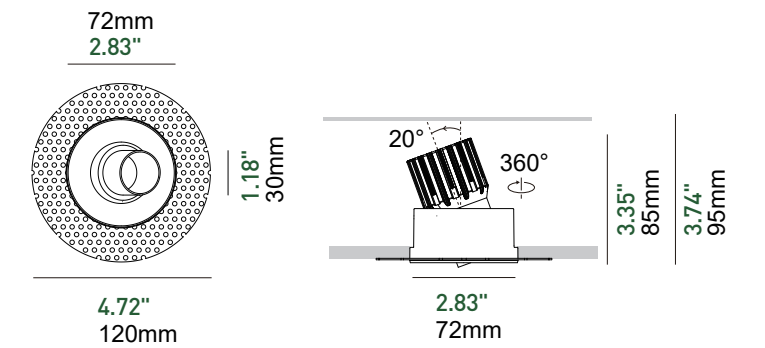
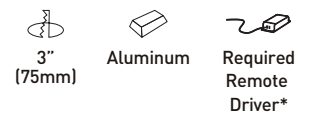
Driver: 120-277Vac ON-OFF | TRIAC | 0/1-10V | DALI



P.system	I (led)	Beam Angle	CRI	CCT	Lumens
15W	350mA	25°	97Ra	2700K	762.0lm
				3000K	814.5lm
				4000K	925.0lm
15W	350mA	35°	90Ra	2700K	1239.3lm
				3000K	1291.8lm
				4000K	1402.3lm



Light Source	Input Voltage	CRI	UGR	Shielding Angle
LED COB	DC36V	90Ra/97Ra	<9	67°



Trimless



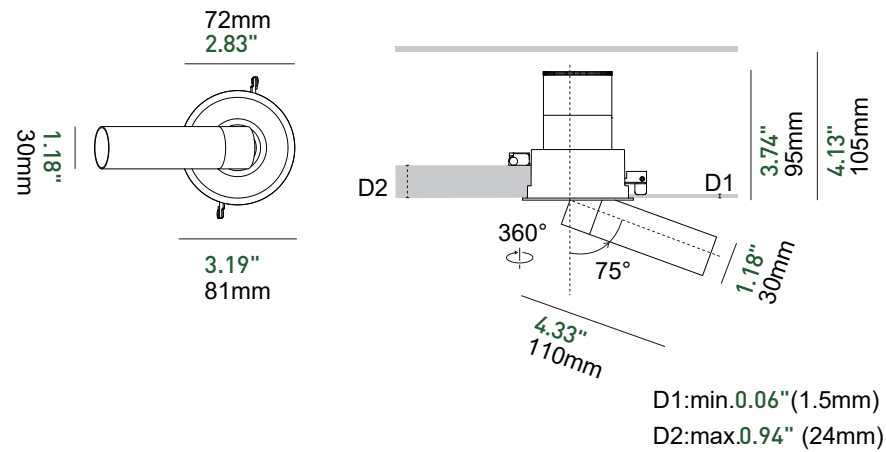
Driver: 120-277Vac ON-OFF | TRIAC | 0/1-10V | DALI



P.system	I (led)	Beam Angle	CRI	CCT	Lumens
8W	200mA	25°	97Ra	2700K	381.9lm
				3000K	434.4lm
				4000K	544.9lm
8W	200mA	35°	90Ra	2700K	636.0lm
				3000K	688.5lm
				4000K	799.0lm



Light Source	Input Voltage	CRI	UGR	Shielding Angle
LED COB	DC36V	90Ra/97Ra	<9	62°



With Trim



Accessories



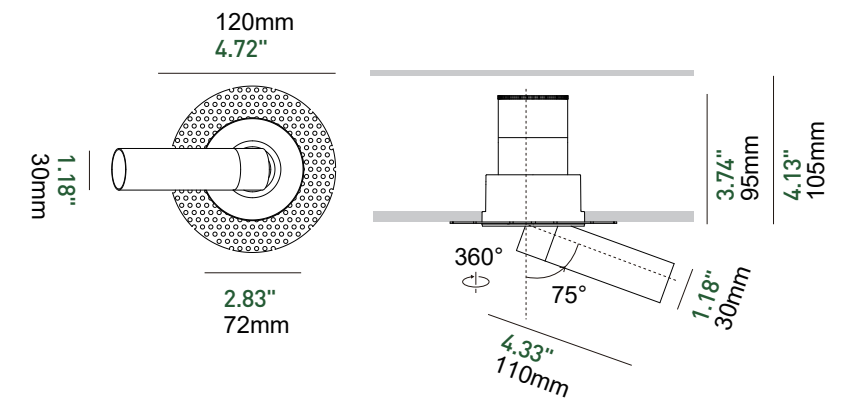
Driver: 120-277Vac ON-OFF | TRIAC | 0/1-10V | DALI



P.system	I (led)	Beam Angle	CRI	CCT	Lumens
8W	200mA	25°	97Ra	2700K	381.9lm
				3000K	434.4lm
				4000K	544.9lm
8W	200mA	35°	90Ra	2700K	636.0lm
				3000K	688.5lm
				4000K	799.0lm



Light Source	Input Voltage	CRI	UGR	Shielding Angle
LED COB	DC36V	90Ra/97Ra	<9	62°



Trimless



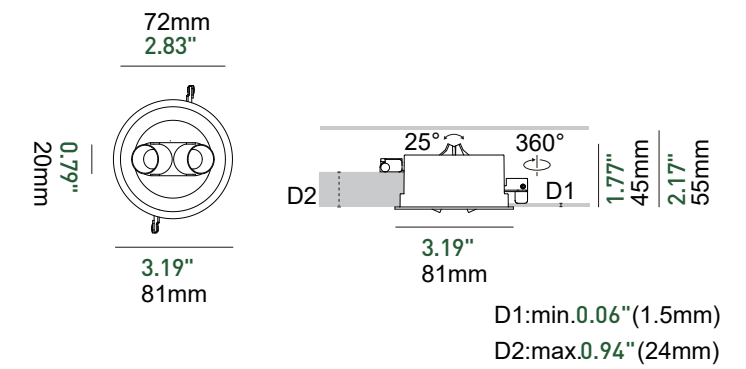
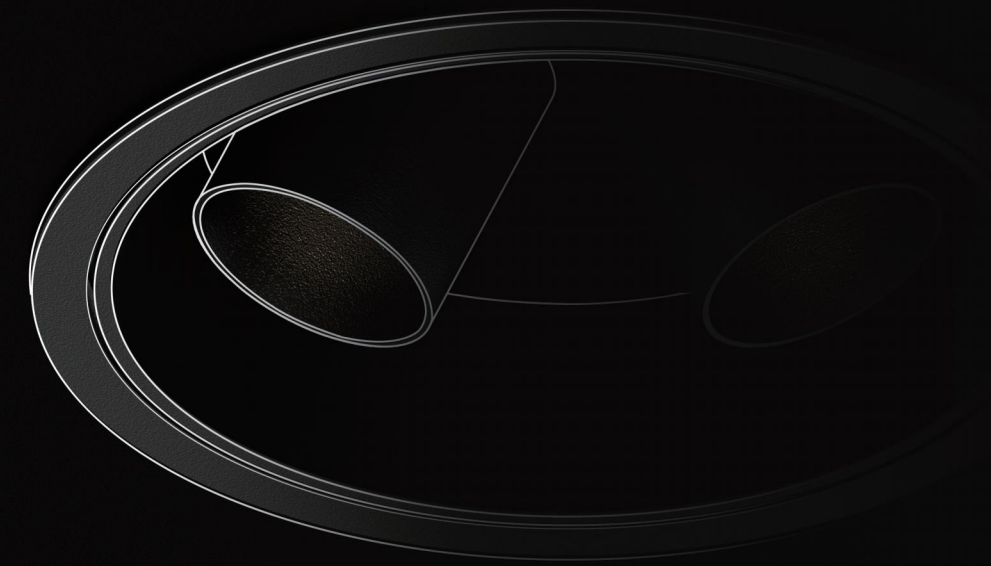
Driver: 120-277Vac ON-OFF | TRIAC | 0/1-10V | DALI



P.system	I (led)	Beam Angle	CRI	CCT	Lumens
8W	200mA	25°	90Ra	2700K	267.5lm
				3000K	320.0lm
				4000K	430.5lm



Light Source	Input Voltage	CRI	UGR	Shielding Angle
LED COB	DC36V	90Ra	< 13	45°



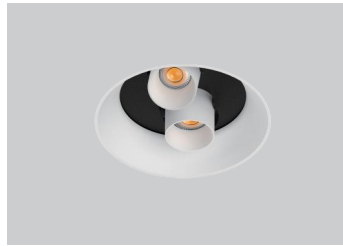
Twins

With Trim

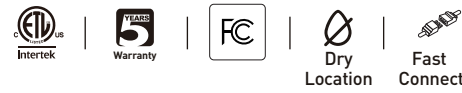


Accessories

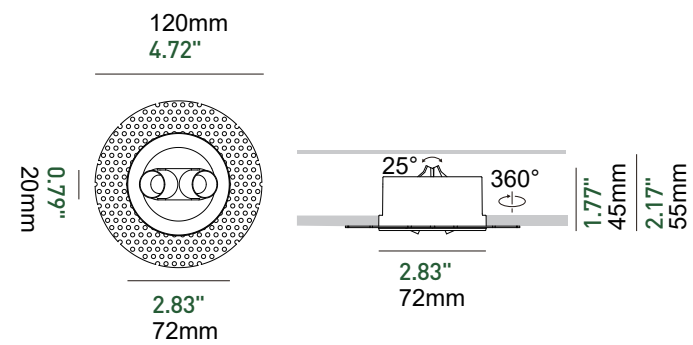




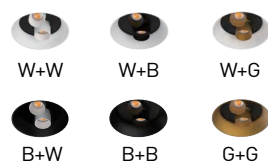
P.system	I (led)	Beam Angle	CRI	CCT	Lumens
8W	200mA	25°	90Ra	2700K	267.5lm
				3000K	320.0lm
				4000K	430.5lm



Light Source	Input Voltage	CRI	UGR	Shielding Angle
LED COB	DC36V	90Ra	< 13	45°



Trimless

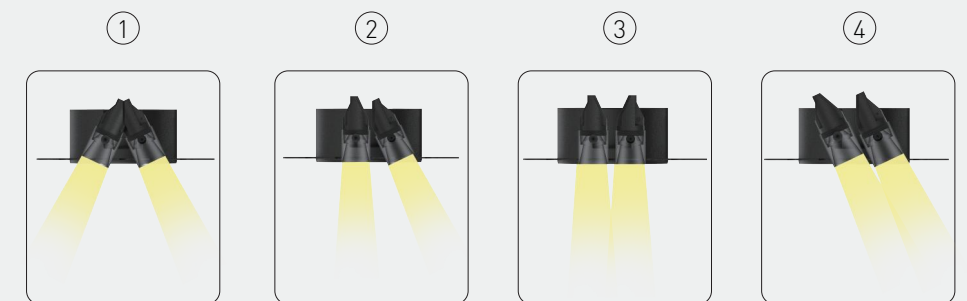


Driver: 120-277Vac ON-OFF | TRIAC | 0/1-10V | DALI

- With its innovative two adjustable spots on a single module, Geek Twins brings genius, diverse solutions for accent lighting.
- Geek Twins, with a high-CRI LED light source, fits applications like fine artworks, corridors, indoor plants, show stands, or statues.



Twins' Four Applications

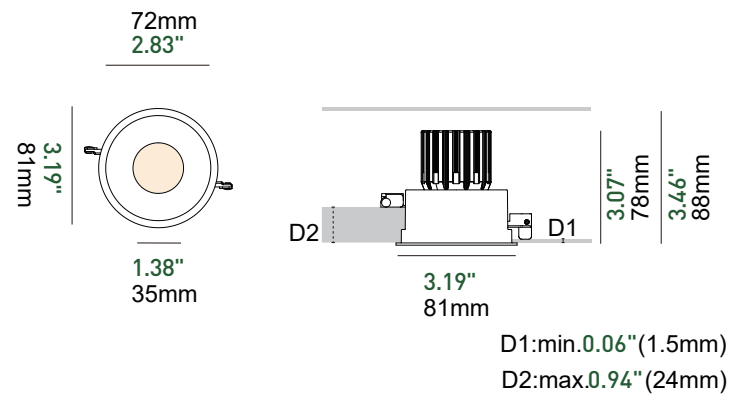
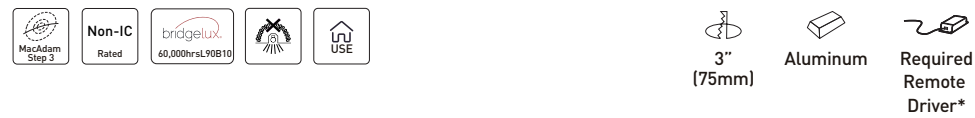




P.system	I (led)	Beam Angle	CRI	CCT	Lumens
15W	350mA	25°	97Ra	2700K	762.0lm
				3000K	814.5lm
				4000K	925.0lm
15W	350mA	35°	90Ra	2700K	1089.3lm
				3000K	1141.8lm
				4000K	1252.3lm
15W	350mA	50°	90Ra	2700K	1181.7lm
				3000K	1234.2lm
				4000K	1344.7lm



Light Source	Input Voltage	CRI	UGR	Shielding Angle
LED COB	DC36V	90Ra/97Ra	< 16	35°



**With Trim**



**Accessories**



Driver: 120-277Vac ON-OFF | TRIAC | 0/1-10V | DALI





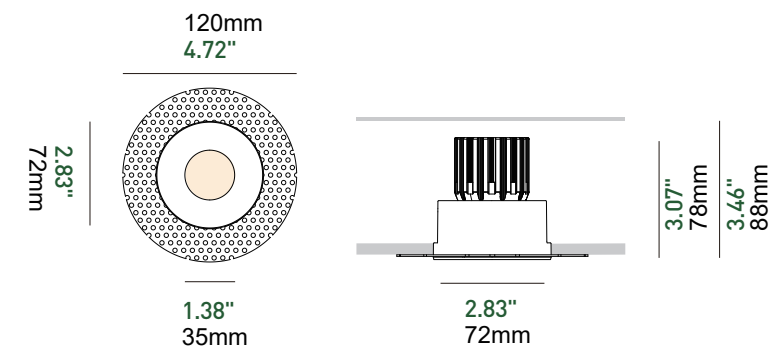
GK75-R44QT



P.system	I (led)	Beam Angle	CRI	CCT	Lumens
15W	350mA	25°	97Ra	2700K	762.0lm
				3000K	814.5lm
				4000K	925.0lm
15W	350mA	35°	90Ra	2700K	1089.3lm
				3000K	1141.8lm
				4000K	1252.3lm
15W	350mA	50°	90Ra	2700K	1181.7lm
				3000K	1234.2lm
				4000K	1344.7lm



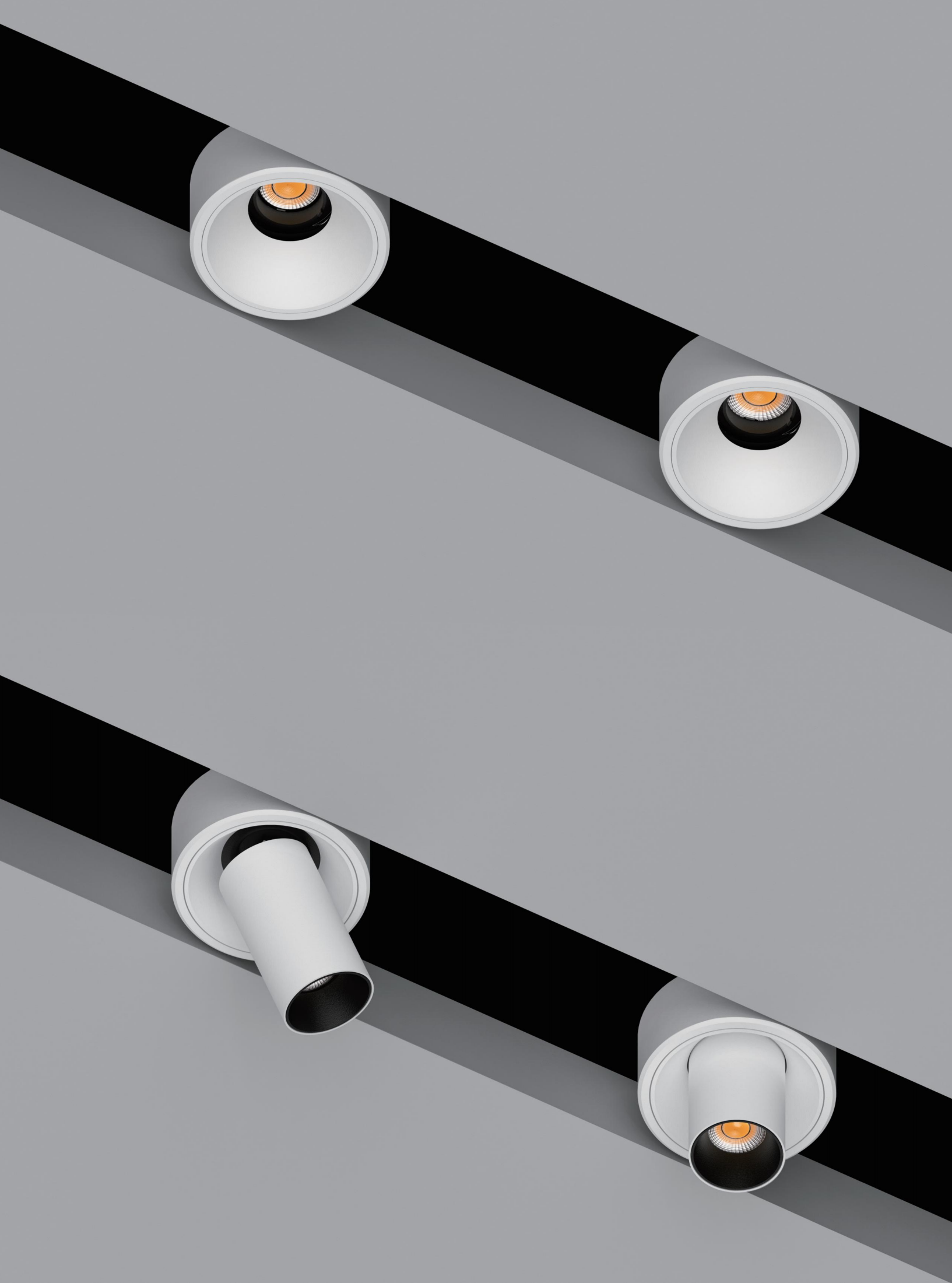
Light Source	Input Voltage	CRI	UGR	Shielding Angle
LED COB	DC36V	90Ra/97Ra	< 16	35°



Trimless



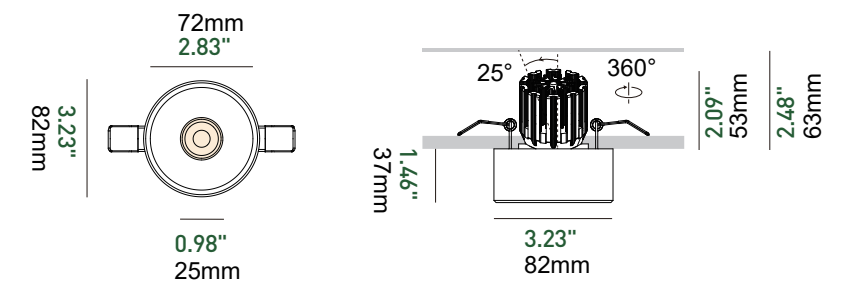
Driver: 120-277Vac ON-OFF | TRIAC | 0/1-10V | DALI



P.system	I (led)	Beam Angle	CRI	CCT	Lumens
15W	350mA	25°	97Ra	2700K	762.0lm
				3000K	814.5lm
				4000K	925.0lm
15W	350mA	35°	90Ra	2700K	1239.3lm
				3000K	1291.8lm
				4000K	1402.3lm
15W	350mA	50°	90Ra	2700K	1331.7lm
				3000K	1384.2lm
				4000K	1494.7lm



Light Source	Input Voltage	CRI	UGR	Shielding Angle
LED COB	DC36V	90Ra/97Ra	< 13	50°



Color

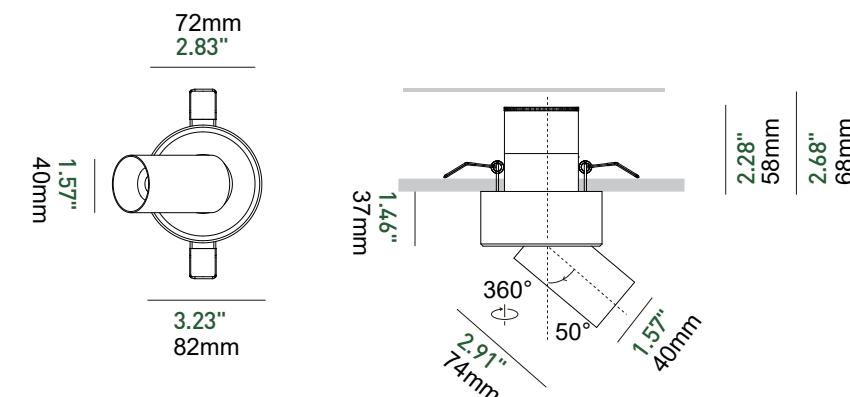




P.system	I (led)	Beam Angle	CRI	CCT	Lumens
10W	250mA	25°	97Ra	2700K	490.5lm
				3000K	543.0lm
				4000K	653.5lm
10W	250mA	35°	90Ra	2700K	808.1lm
				3000K	860.6lm
				4000K	971.1lm



Light Source	Input Voltage	CRI	UGR	Shielding Angle
LED COB	DC36V	90Ra/97Ra	<13	45°



**Color**



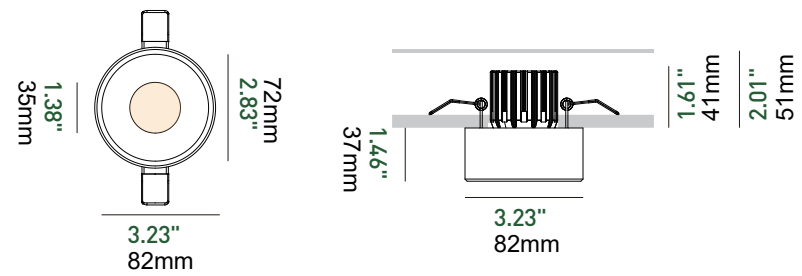
Driver: 120-277Vac ON-OFF | TRIAC | 0/1-10V | DALI



P.system	I (led)	Beam Angle	CRI	CCT	Lumens
15W	350mA	25°	97Ra	2700K	762.0lm
				3000K	814.5lm
				4000K	925.0lm
15W	350mA	35°	90Ra	2700K	1089.3lm
				3000K	1141.8lm
				4000K	1252.3lm
15W	350mA	50°	90Ra	2700K	1181.7lm
				3000K	1234.2lm
				4000K	1344.7lm



Light Source	Input Voltage	CRI	UGR	Shielding Angle
LED COB	DC36V	90Ra/97Ra	<16	35°



Color



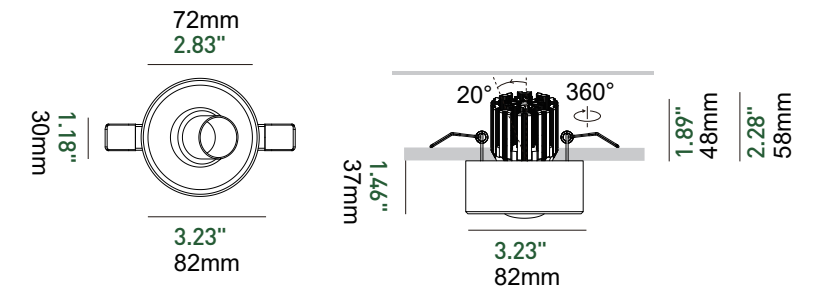
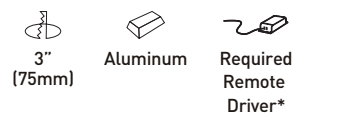
Driver: 120-277Vac ON-OFF | TRIAC | 0/1-10V | DALI



P.system	I (led)	Beam Angle	CRI	CCT	Lumens
15W	350mA	25°	97Ra	2700K	762.0lm
				3000K	814.5lm
				4000K	925.0lm
15W	350mA	35°	90Ra	2700K	1239.3lm
				3000K	1291.8lm
				4000K	1402.3lm



Light Source	Input Voltage	CRI	UGR	Shielding Angle
LED COB	DC36V	90Ra//97Ra	<9	67°



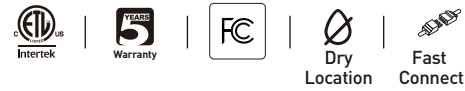
Color



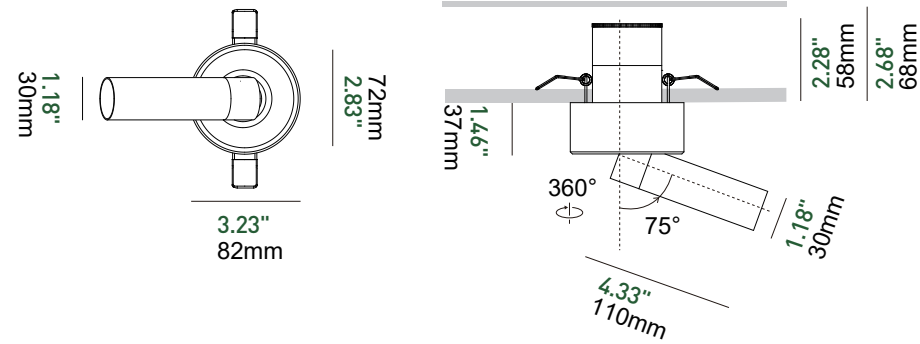
Driver: 120-277Vac ON-OFF | TRIAC | 0/1-10V | DALI



P.system	I (led)	Beam Angle	CRI	CCT	Lumens
8W	200mA	25°	97Ra	2700K	381.9lm
				3000K	434.4lm
				4000K	544.9lm
8W	200mA	35°	90Ra	2700K	636.0lm
				3000K	688.5lm
				4000K	799.0lm



Light Source	Input Voltage	CRI	UGR	Shielding Angle
LED COB	DC36V	90Ra/97Ra	<9	62°



Color



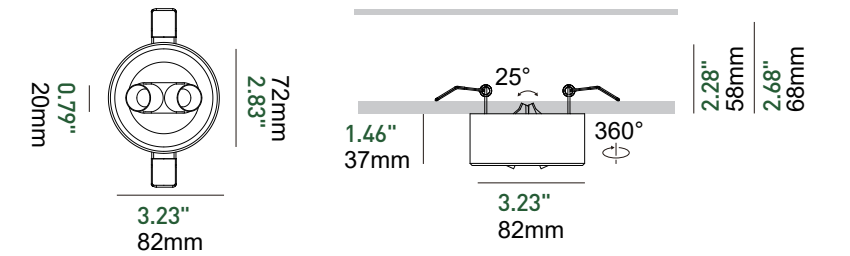
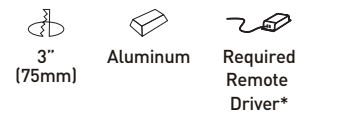
Driver: 120-277Vac ON-OFF | TRIAC | 0/1-10V | DALI



P.system	I (led)	Beam Angle	CRI	CCT	Lumens
8W	200mA	25°	90Ra	2700K	267.5lm
				3000K	320.0lm
				4000K	430.5lm



Light Source	Input Voltage	CRI	UGR	Shielding Angle
LED COB	DC36V	90Ra	<13	45°

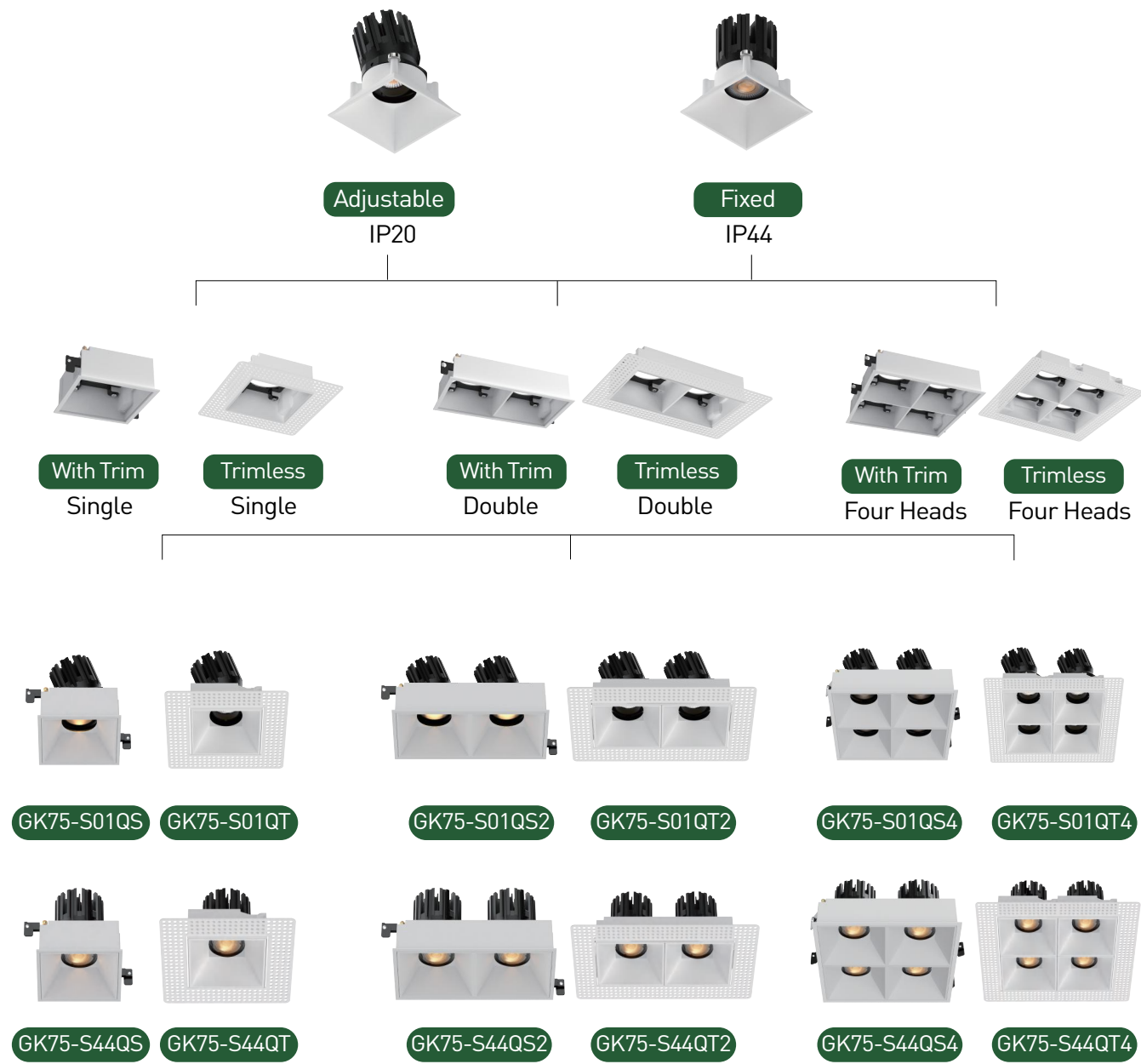


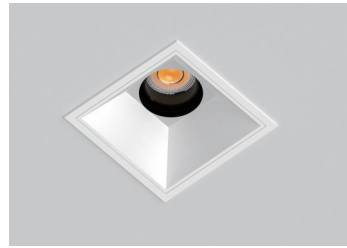
Color



Driver: 120-277Vac ON-OFF | TRIAC | 0/1-10V | DALI

# P.Geek 3"

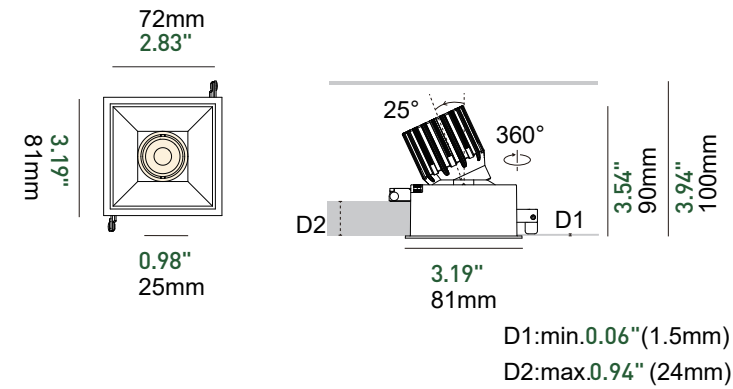
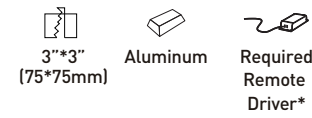




P.system	I (led)	Beam Angle	CRI	CCT	Lumens
15W	350mA	25°	97Ra	2700K	762.0lm
				3000K	814.5lm
				4000K	925.0lm
15W	350mA	35°	90Ra	2700K	1239.3lm
				3000K	1291.8lm
				4000K	1402.3lm
15W	350mA	50°	90Ra	2700K	1331.7lm
				3000K	1384.2lm
				4000K	1494.7lm



Light Source	Input Voltage	CRI	UGR	Shielding Angle
LED COB	DC36V	90Ra/97Ra	< 13	50°



With Trim



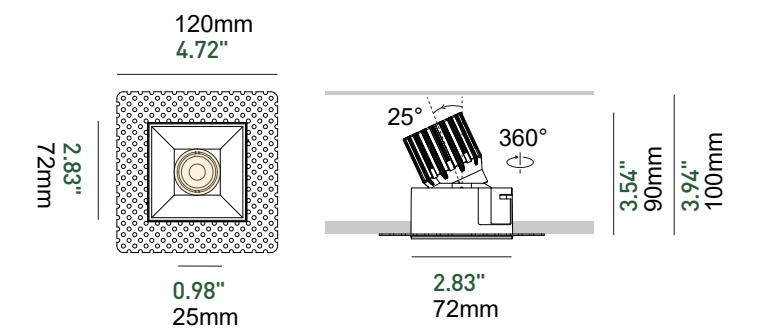
Driver: 120-277Vac ON-OFF | TRIAC | 0/1-10V | DALI



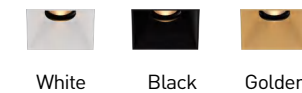
P.system	I (led)	Beam Angle	CRI	CCT	Lumens
15W	350mA	25°	97Ra	2700K	762.0lm
				3000K	814.5lm
				4000K	925.0lm
15W	350mA	35°	90Ra	2700K	1239.3lm
				3000K	1291.8lm
				4000K	1402.3lm
15W	350mA	50°	90Ra	2700K	1331.7lm
				3000K	1384.2lm
				4000K	1494.7lm



Light Source	Input Voltage	CRI	UGR	Shielding Angle
LED COB	DC36V	90Ra/97Ra	< 13	50°



Trimless



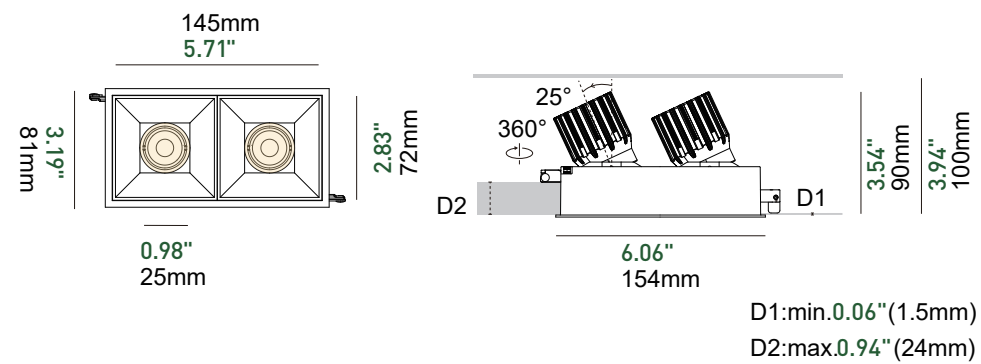
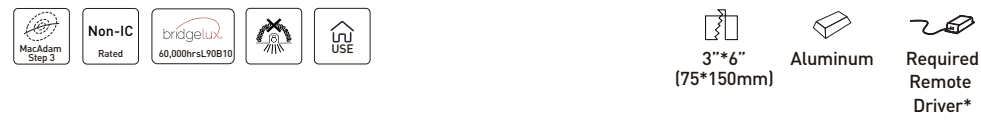
Driver: 120-277Vac ON-OFF | TRIAC | 0/1-10V | DALI



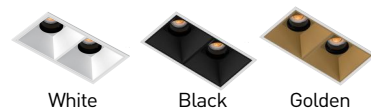
P.system	I (led)	Beam Angle	CRI	CCT	Lumens
2*15W	2*350mA	25°	97Ra	2700K	1524.0lm
				3000K	1629.0lm
				4000K	1850.0lm
2*15W	2*350mA	35°	90Ra	2700K	2478.6lm
				3000K	2583.6lm
				4000K	2804.6lm
2*15W	2*350mA	50°	90Ra	2700K	2663.4lm
				3000K	2768.4lm
				4000K	2989.4lm



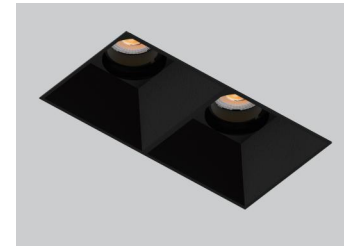
Light Source	Input Voltage	CRI	UGR	Shielding Angle
LED COB	DC36V	90Ra/97Ra	< 13	50°



With Trim



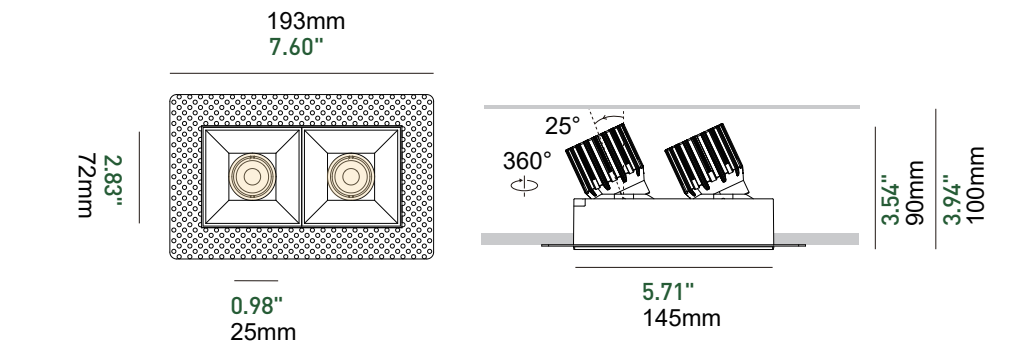
Driver: 120-277Vac ON-OFF | TRIAC | 0/1-10V | DALI



P.system	I (led)	Beam Angle	CRI	CCT	Lumens
2*15W	2*350mA	25°	97Ra	2700K	1524.0lm
				3000K	1629.0lm
				4000K	1850.0lm
2*15W	2*350mA	35°	90Ra	2700K	2478.6lm
				3000K	2583.6lm
				4000K	2804.6lm
2*15W	2*350mA	50°	90Ra	2700K	2663.4lm
				3000K	2768.4lm
				4000K	2989.4lm



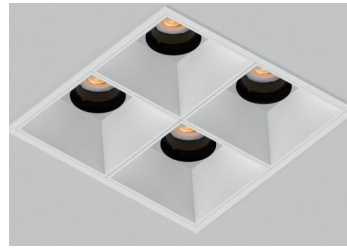
Light Source	Input Voltage	CRI	UGR	Shielding Angle
LED COB	DC36V	90Ra/97Ra	< 13	50°



Trimless



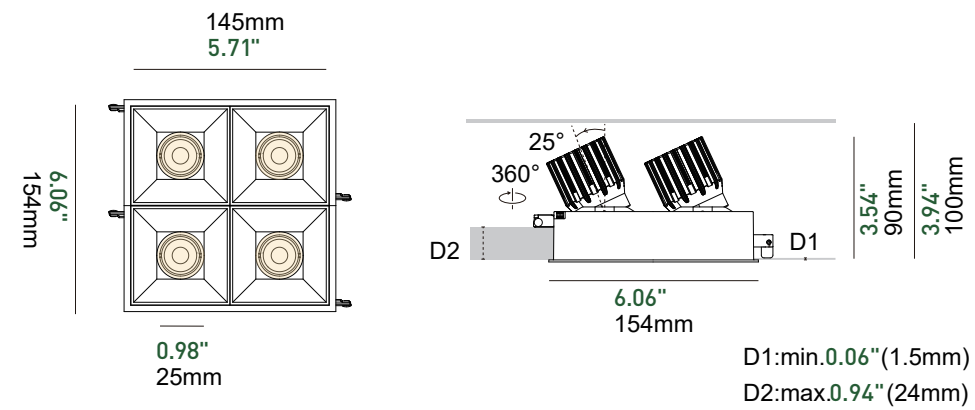
Driver: 120-277Vac ON-OFF | TRIAC | 0/1-10V | DALI



P.system	I (led)	Beam Angle	CRI	CCT	Lumens
4*15W	4*350mA	25°	97Ra	2700K	3048.0lm
				3000K	3258.0lm
				4000K	3700.0lm
4*15W	4*350mA	35°	90Ra	2700K	4957.2lm
				3000K	5167.2lm
				4000K	5609.2lm
4*15W	4*350mA	50°	90Ra	2700K	5326.8lm
				3000K	5536.8lm
				4000K	5978.8lm



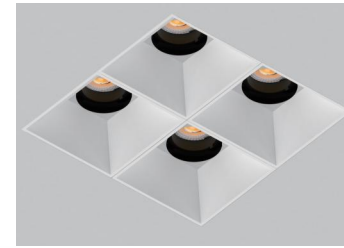
Light Source	Input Voltage	CRI	UGR	Shielding Angle
LED COB	DC36V	90Ra/97Ra	< 13	50°



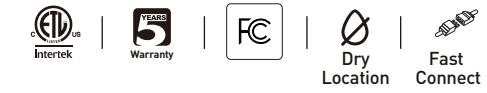
With Trim



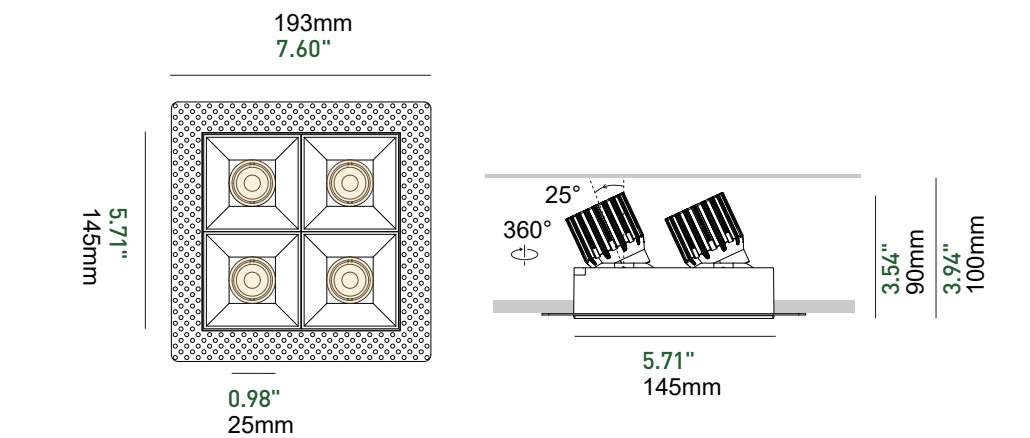
Driver: 120-277Vac ON-OFF | TRIAC | 0/1-10V | DALI



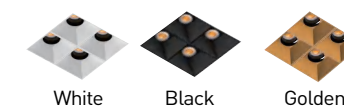
P.system	I (led)	Beam Angle	CRI	CCT	Lumens
4*15W	4*350mA	25°	97Ra	2700K	3048.0lm
				3000K	3258.0lm
				4000K	3700.0lm
4*15W	4*350mA	35°	90Ra	2700K	4957.2lm
				3000K	5167.2lm
				4000K	5609.2lm
4*15W	4*350mA	50°	90Ra	2700K	5326.8lm
				3000K	5536.8lm
				4000K	5978.8lm



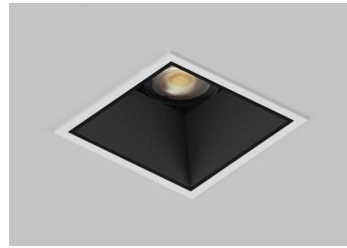
Light Source	Input Voltage	CRI	UGR	Shielding Angle
LED COB	DC36V	90Ra/97Ra	< 13	50°



Trimless



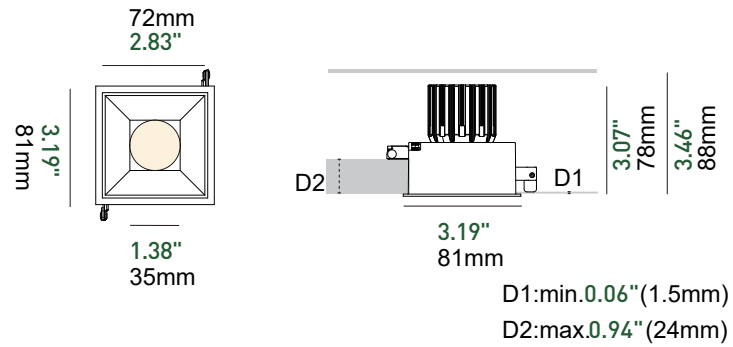
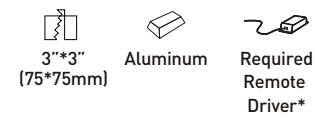
Driver: 120-277Vac ON-OFF | TRIAC | 0/1-10V | DALI



P.system	I (led)	Beam Angle	CRI	CCT	Lumens
15W	350mA	25°	97Ra	2700K	762.0lm
				3000K	814.5lm
				4000K	925.0lm
15W	350mA	35°	90Ra	2700K	1089.3lm
				3000K	1141.8lm
				4000K	1252.3lm
15W	350mA	50°	90Ra	2700K	1181.7lm
				3000K	1234.2lm
				4000K	1344.7lm



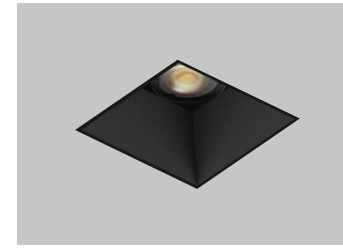
Light Source	Input Voltage	CRI	UGR	Shielding Angle
LED COB	DC36V	90Ra/97Ra	< 16	35°



With Trim



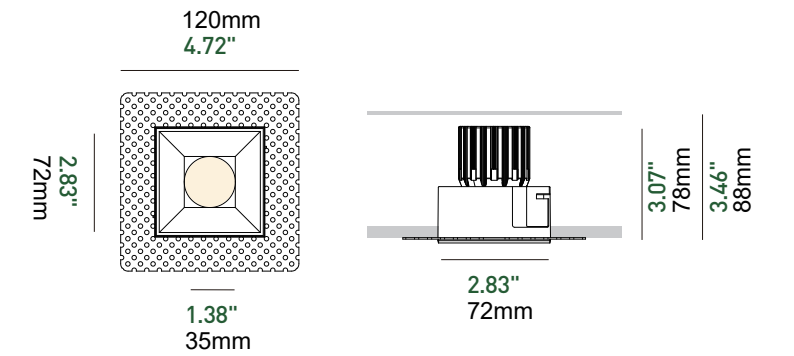
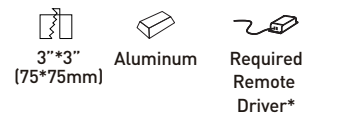
Driver Voltage : AC100-120V Driver Options: ON/OFF DIM TRIAC DIM 0/1-10V DIM DALI



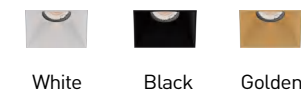
P.system	I (led)	Beam Angle	CRI	CCT	Lumens
15W	350mA	25°	97Ra	2700K	762.0lm
				3000K	814.5lm
				4000K	925.0lm
15W	350mA	35°	90Ra	2700K	1089.3lm
				3000K	1141.8lm
				4000K	1252.3lm
15W	350mA	50°	90Ra	2700K	1181.7lm
				3000K	1234.2lm
				4000K	1344.7lm



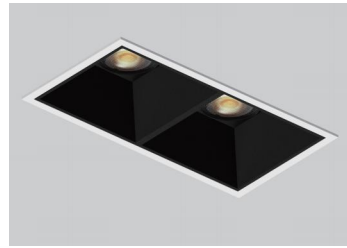
Light Source	Input Voltage	CRI	UGR	Shielding Angle
LED COB	DC36V	90Ra/97Ra	< 16	35°



Trimless



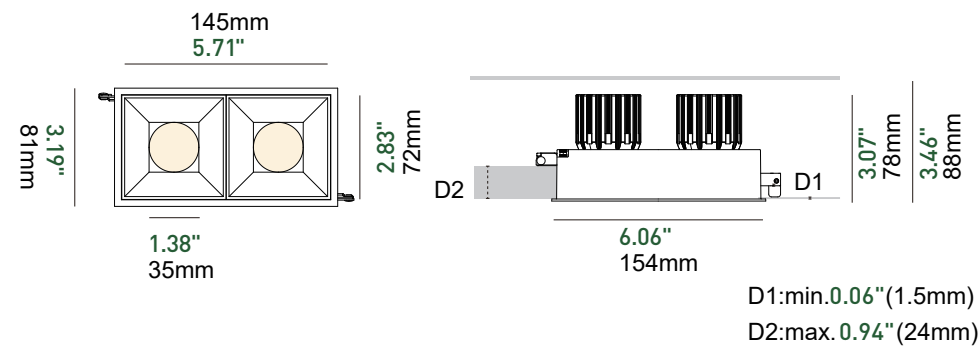
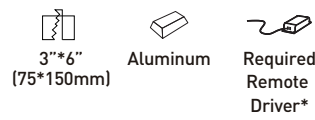
Driver Voltage : AC100-120V Driver Options: ON/OFF DIM TRIAC DIM 0/1-10V DIM DALI



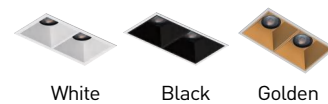
P.system	I (led)	Beam Angle	CRI	CCT	Lumens
2*15W	2*350mA	25°	97Ra	2700K	1524.0lm
				3000K	1629.0lm
				4000K	1850.0lm
2*15W	2*350mA	35°	90Ra	2700K	2178.6lm
				3000K	2283.6lm
				4000K	2504.6lm
2*15W	2*350mA	50°	90Ra	2700K	2363.4lm
				3000K	2468.4lm
				4000K	2689.4lm



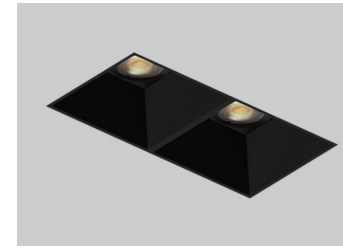
Light Source	Input Voltage	CRI	UGR	Shielding Angle
LED COB	DC36V	90Ra/97Ra	< 16	35°



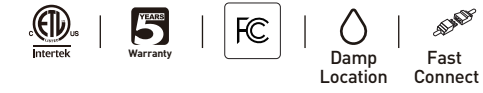
With Trim



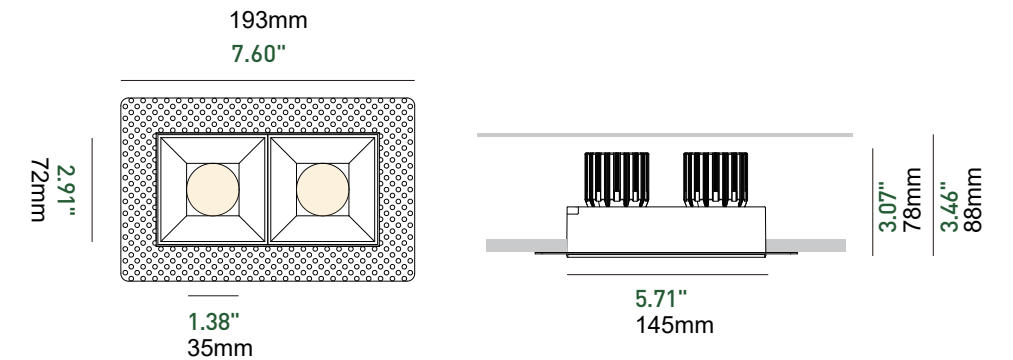
Driver: 120-277Vac ON-OFF | TRIAC | 0/1-10V | DALI



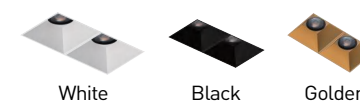
P.system	I (led)	Beam Angle	CRI	CCT	Lumens
2*15W	2*350mA	25°	97Ra	2700K	1524.0lm
				3000K	1629.0lm
				4000K	1850.0lm
2*15W	2*350mA	35°	90Ra	2700K	2178.6lm
				3000K	2283.6lm
				4000K	2504.6lm
2*15W	2*350mA	50°	90Ra	2700K	2363.4lm
				3000K	2468.4lm
				4000K	2689.4lm



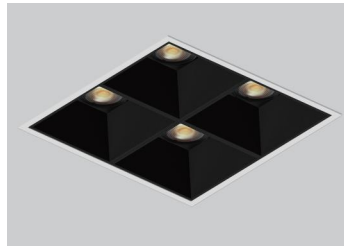
Light Source	Input Voltage	CRI	UGR	Shielding Angle
LED COB	DC36V	90Ra/97Ra	< 16	35°



Trimless



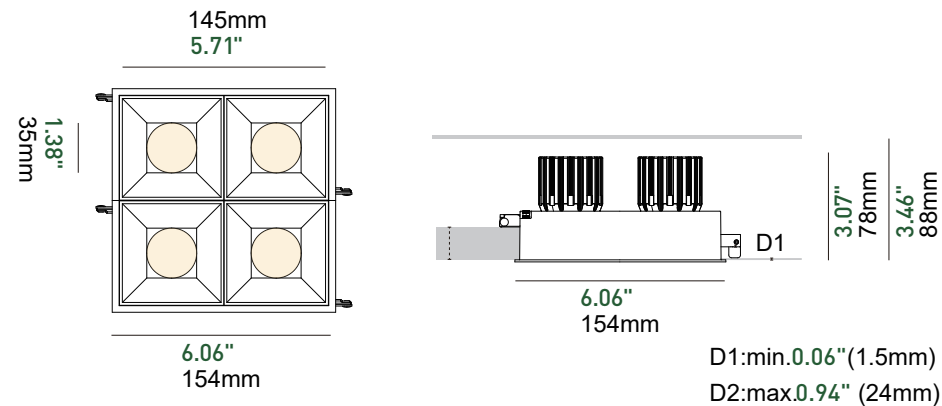
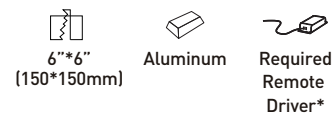
Driver: 120-277Vac ON-OFF | TRIAC | 0/1-10V | DALI



P.system	I (led)	Beam Angle	CRI	CCT	Lumens
4*15W	4*350mA	25°	97Ra	2700K 3000K 4000K	3048.0lm 3258.0lm 3700.0lm
4*15W	4*350mA	35°	90Ra	2700K 3000K 4000K	4357.2lm 4567.2lm 5009.2lm
4*15W	4*350mA	50°	90Ra	2700K 3000K 4000K	4726.8lm 4936.8lm 5378.8lm



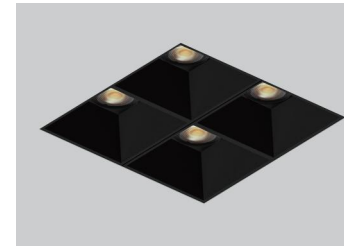
Light Source	Input Voltage	CRI	UGR	Shielding Angle
LED COB	DC36V	90Ra/97Ra	<16	35°



With Trim



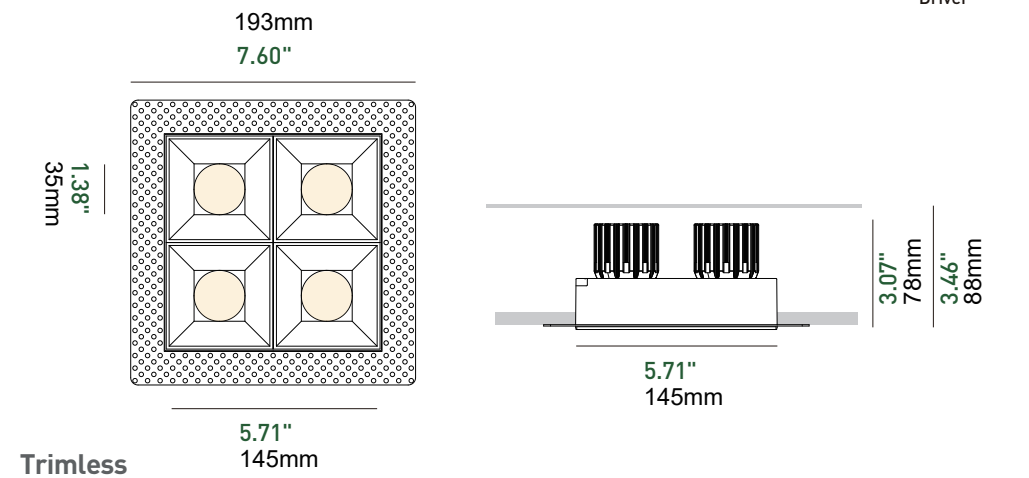
Driver: 120-277Vac ON-OFF | TRIAC | 0/1-10V | DALI



P.system	I (led)	Beam Angle	CRI	CCT	Lumens
4*15W	4*350mA	25°	97Ra	2700K 3000K 4000K	3048.0lm 3258.0lm 3700.0lm
4*15W	4*350mA	35°	90Ra	2700K 3000K 4000K	4357.2lm 4567.2lm 5009.2lm
4*15W	4*350mA	50°	90Ra	2700K 3000K 4000K	4726.8lm 4936.8lm 5378.8lm



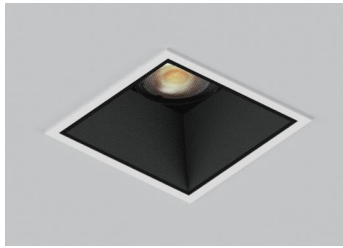
Light Source	Input Voltage	CRI	UGR	Shielding Angle
LED COB	DC36V	90Ra/97Ra	<16	35°



Trimless



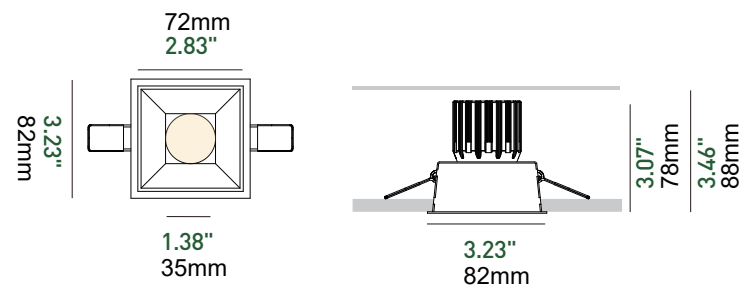
Driver: 120-277Vac ON-OFF | TRIAC | 0/1-10V | DALI



P.system	I (led)	Beam Angle	CRI	CCT	Lumens
15W	350mA	25°	97Ra	2700K	762.0lm
				3000K	814.5lm
				4000K	925.0lm
15W	350mA	35°	90Ra	2700K	1089.3lm
				3000K	1141.8lm
				4000K	1252.3lm
15W	350mA	50°	90Ra	2700K	1181.7lm
				3000K	1234.2lm
				4000K	1344.7lm



Light Source	Input Voltage	CRI	UGR	Shielding Angle
LED COB	DC36V	90Ra/97Ra	< 16	35°



**Color**



Driver: 120-277Vac ON-OFF | TRIAC | 0/1-10V | DALI



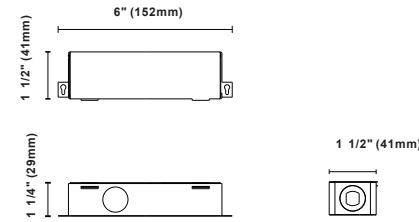
Drivers in Junction Box



- **CMEM55** Triac
- **CVM55** 0-10V
- **UNM55** Universal(Triac&0-10V)

8W/10W/12W/15W

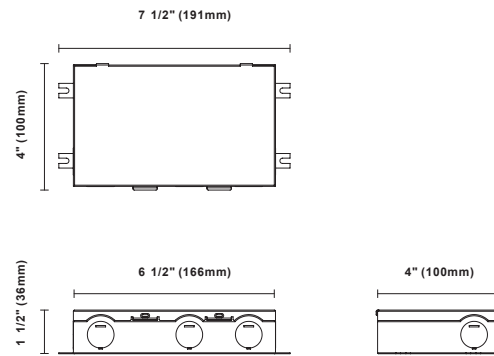
For 1



**KIG-DWJ**

Triac/0-10V/1-10V  
Potentiometer/10V PWM 5 in 1  
20W/40W/60W

For 1-4



Rough-in Plate for New-Construction

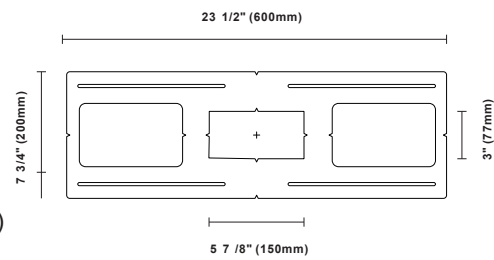


**BRKT-2S75**

For P.GEEK trim & trimless

Cut out:

Square:  $\square 3'' \times 6'' (\square 77\text{mm} \times 150\text{mm})$

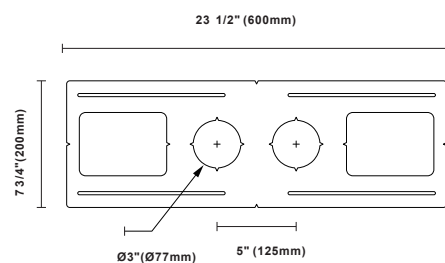


**BRKT-2R75A**

For P.GEEK trim & trimless

Cut out:

Round:  $\varnothing 3'' \times 2 (\varnothing 77\text{mm})$

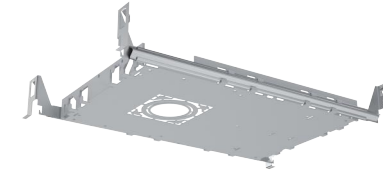


**Remark**

- Tailored brackets are available with a reasonable surcharge, details as below,
- The customized brackets' dimensions are still the same as the existing ones, 600\*200mm
  - Hole sizes can be customized within the range of 25-100mm
  - Holes quantity can be indicated, 1-7pcs
  - Holes' positions on the bracket can be done as requests

For more information, please get in touch with XRZLux sales.

Brackets for New-Construction (4-legs)



**NCP-SR3-R21**

For P.GEEK trim & trimless

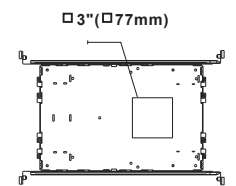
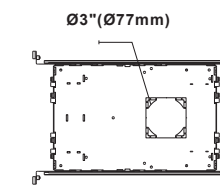
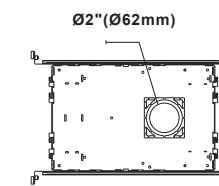
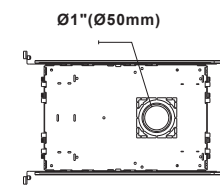
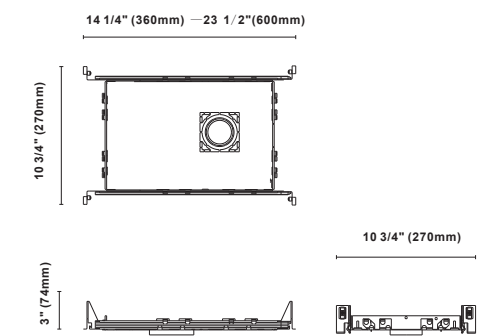
Cut out:

Round:  $\varnothing 3'' (\varnothing 77\text{mm})$

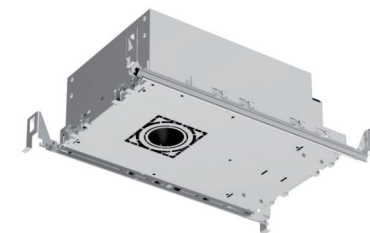
$\varnothing 2'' (\varnothing 62\text{mm})$

$\varnothing 1'' (\varnothing 50\text{mm})$

Square:  $\square 3'' (\square 77\text{mm})$



IC-Box for New-Construction (4-legs)



**NCBX-SR3-R21**

For P.GEEK trim & trimless

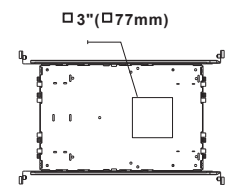
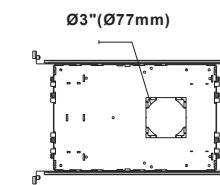
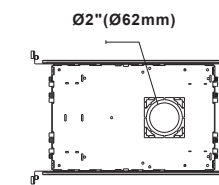
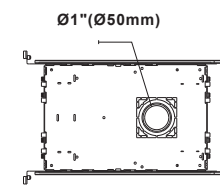
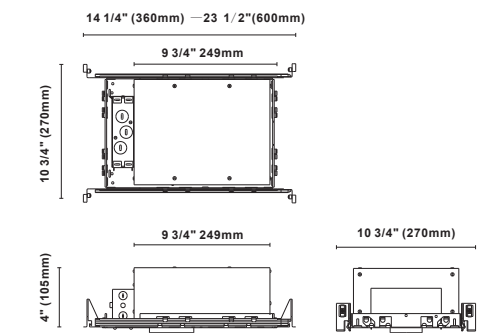
Cut out:

Round:  $\varnothing 3'' (\varnothing 77\text{mm})$

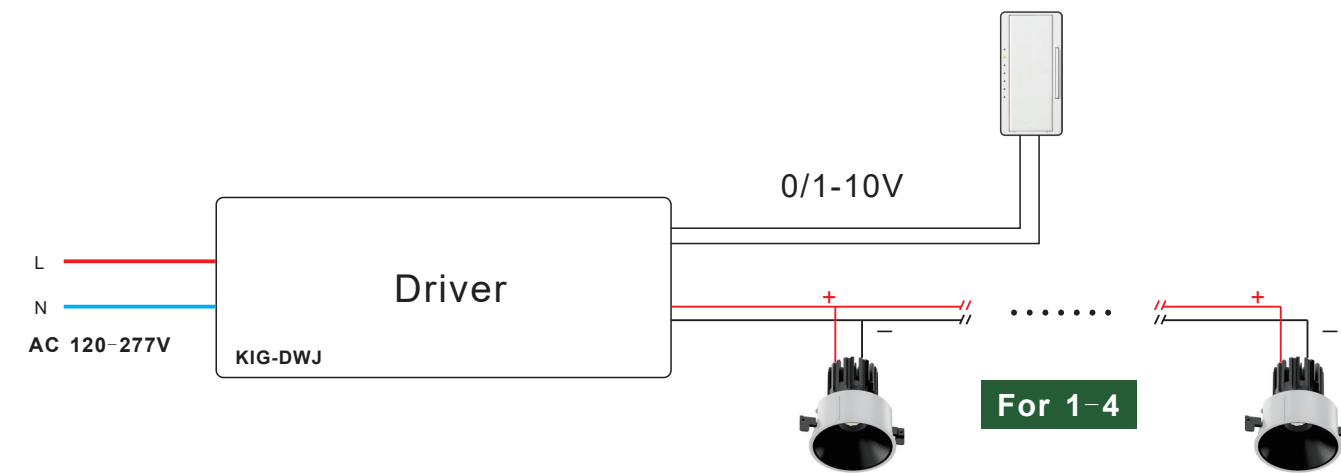
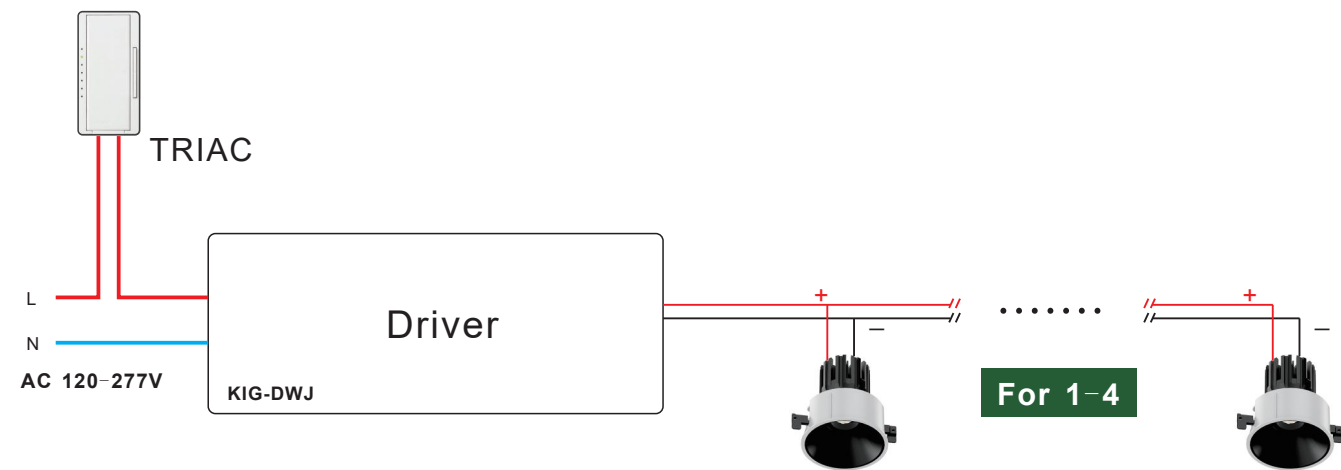
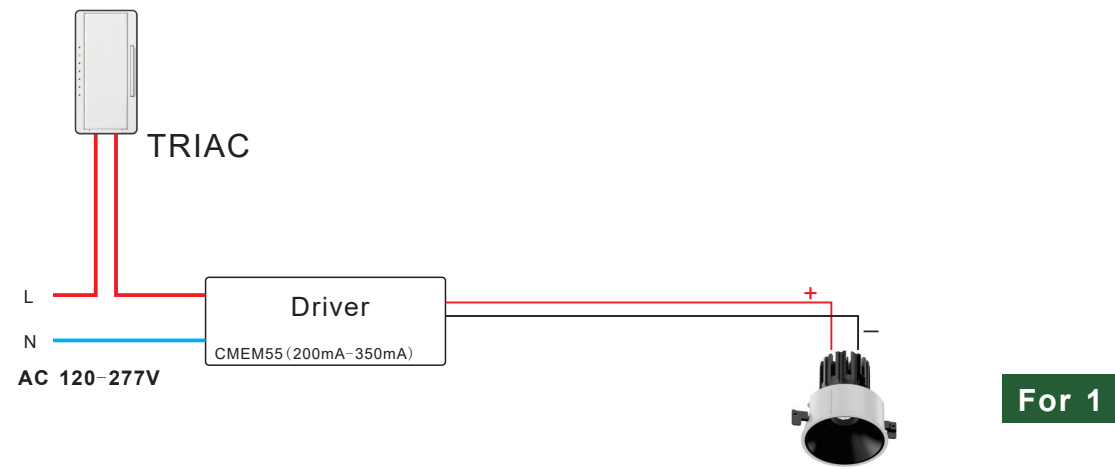
$\varnothing 2'' (\varnothing 62\text{mm})$

$\varnothing 1'' (\varnothing 50\text{mm})$

Square:  $\square 3'' (\square 77\text{mm})$



NON-IC Wire Diagram



IC Rated Wire Diagram

