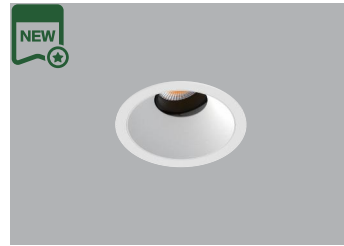
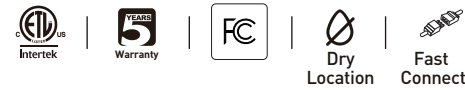


P.Geek 2"

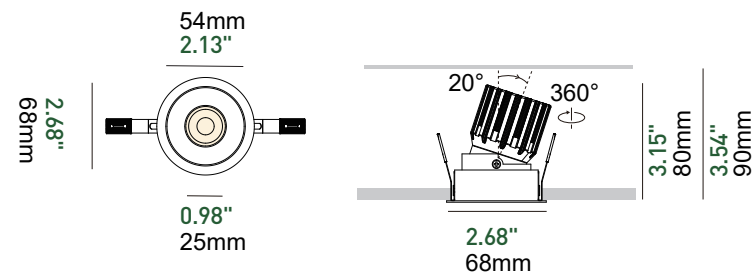




P.system	I (led)	Beam Angle	CRI	CCT	Lumens
15W	350mA	25°	97Ra	2700K	762.0 lm
				3000K	814.5 lm
				4000K	925.0 lm
15W	350mA	35°	90Ra	2700K	1239.3 lm
				3000K	1291.8 lm
				4000K	1402.3 lm
15W	350mA	50°	90Ra	2700K	1331.7 lm
				3000K	1384.2 lm
				4000K	1494.7 lm



Light Source	Input Voltage	CRI	UGR	Shielding Angle
LED COB	DC36V	90Ra/97Ra	<13	50°



With Trim



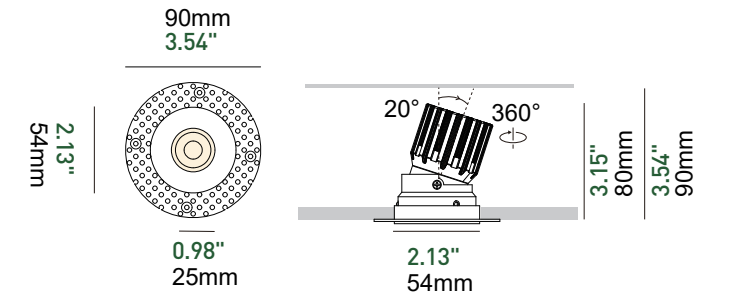
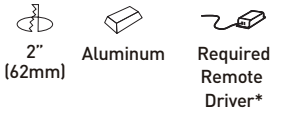
Driver: 120-277Vac ON-OFF | TRIAC | 0/1-10V | DALI



P.system	I (led)	Beam Angle	CRI	CCT	Lumens
15W	350mA	25°	97Ra	2700K	762.0 lm
				3000K	814.5 lm
				4000K	925.0 lm
15W	350mA	35°	90Ra	2700K	1239.3 lm
				3000K	1291.8 lm
				4000K	1402.3 lm
15W	350mA	50°	90Ra	2700K	1331.7 lm
				3000K	1384.2 lm
				4000K	1494.7 lm



Light Source	Input Voltage	CRI	UGR	Shielding Angle
LED COB	DC36V	90Ra/97Ra	<13	50°



Trimless



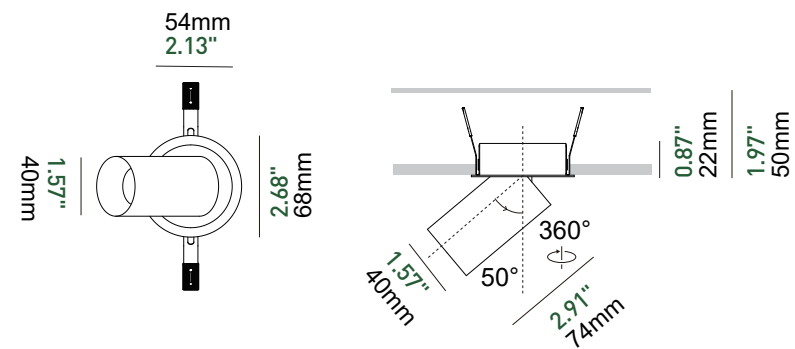
Driver: 120-277Vac ON-OFF | TRIAC | 0/1-10V | DALI



P.system	I (led)	Beam Angle	CRI	CCT	Lumens
10W	250mA	25°	97Ra	2700K	490.5 lm
				3000K	543.0 lm
				4000K	653.5 lm
10W	250mA	35°	90Ra	2700K	808.7 lm
				3000K	861.2 lm
				4000K	971.7 lm



Light Source	Input Voltage	CRI	UGR	Shielding Angle
LED COB	DC36V	90Ra/97Ra	<13	50°



With Trim



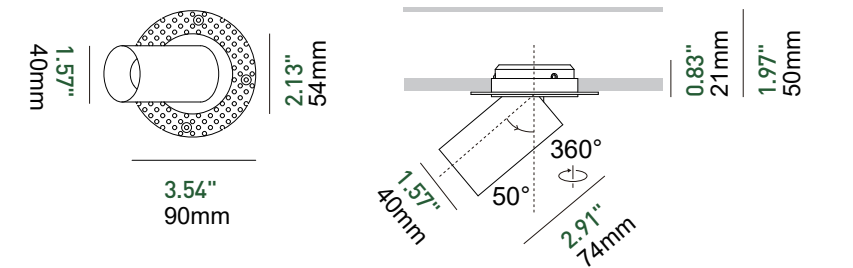
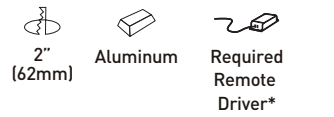
Driver: 120-277Vac ON-OFF | TRIAC | 0/1-10V | DALI



P.system	I (led)	Beam Angle	CRI	CCT	Lumens
10W	250mA	25°	97Ra	2700K	490.5 lm
				3000K	543.0 lm
				4000K	653.5 lm
10W	250mA	35°	90Ra	2700K	808.7 lm
				3000K	861.2 lm
				4000K	971.7 lm



Light Source	Input Voltage	CRI	UGR	Shielding Angle
LED COB	DC36V	90Ra/97Ra	<13	50°



Trimless



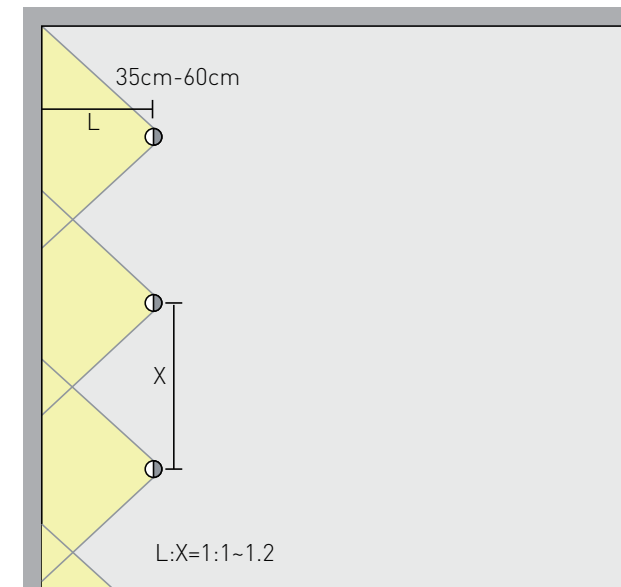
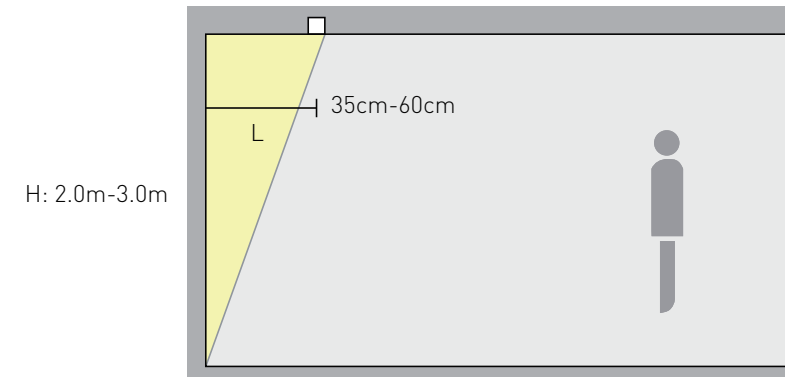
Driver: 120-277Vac ON-OFF | TRIAC | 0/1-10V | DALI

2" Wall washer

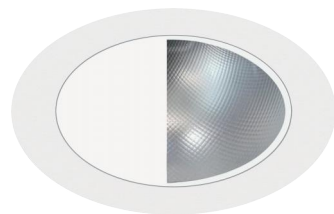
Dia 2", strong cold-forged pure Alu. engine improves the Dlvd lumens up to 1344.7lm



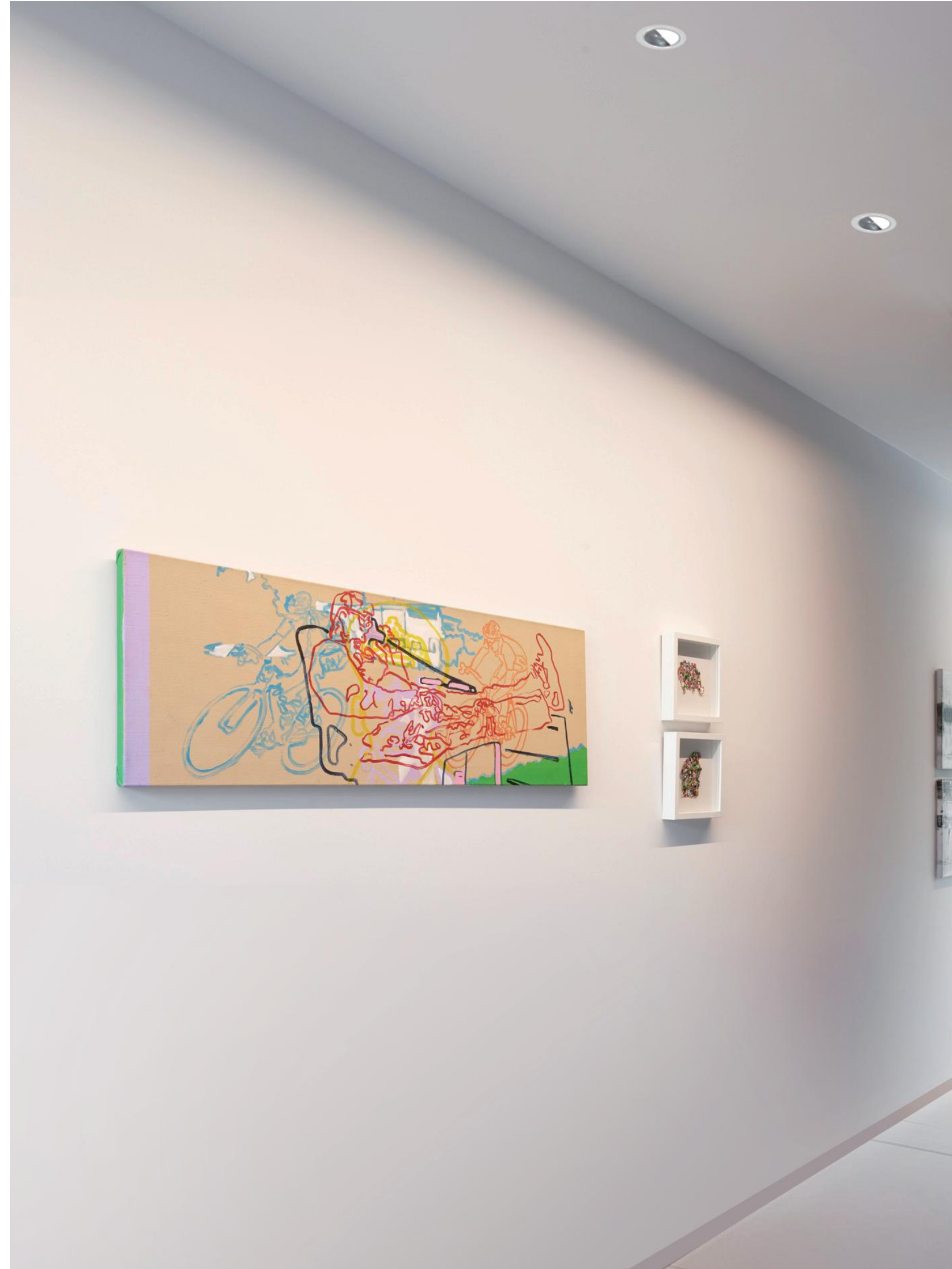
Wall Washer

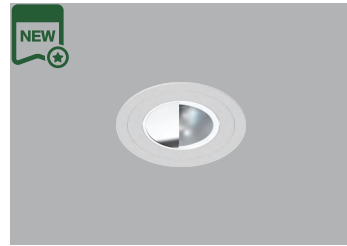


SG-S27QS



SG-S27QT

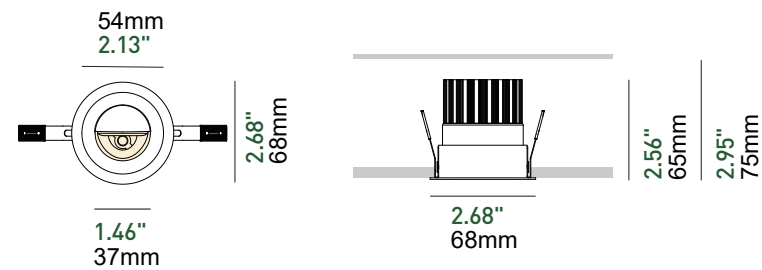




P.system	I (led)	Beam Angle	CRI	CCT	Lumens
15W	350mA	wall washer	90Ra	2700K	1181.7 lm
				3000K	1234.2 lm
				4000K	1344.7 lm



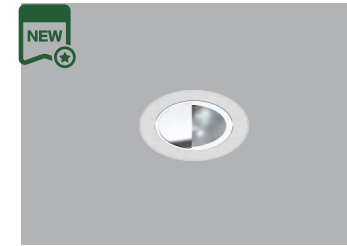
Light Source	Input Voltage	CRI	UGR	Shielding Angle
LED COB	DC36V	90Ra	/	/



With Trim



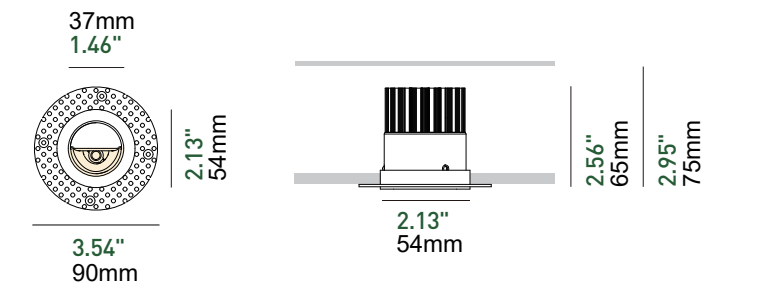
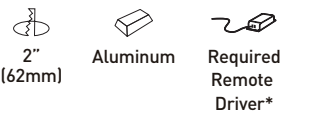
Driver: 120-277Vac ON-OFF | TRIAC | 0/1-10V | DALI



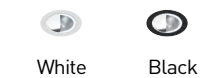
P.system	I (led)	Beam Angle	CRI	CCT	Lumens
15W	350mA	wall washer	90Ra	2700K	1181.7 lm
				3000K	1234.2 lm
				4000K	1344.7 lm



Light Source	Input Voltage	CRI	UGR	Shielding Angle
LED COB	DC36V	90Ra	/	/



Trimless



Driver: 120-277Vac ON-OFF | TRIAC | 0/1-10V | DALI

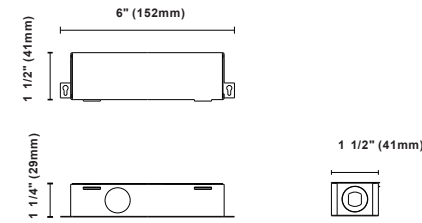
Drivers in Junction Box



- **CMEM55** Triac
- **CVM55** 0-10V
- **UNM55** Universal(Triac&0-10V)

8W/10W/12W/15W

For 1

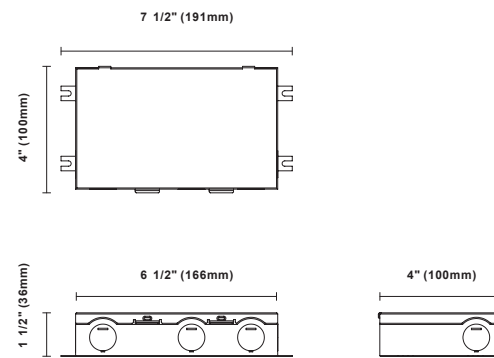


KIG-DWJ

Triac/0-10V/1-10V

Potentiometer/10V PWM 5 in 1
20W/40W/60W

For 1-4



Brackets for New-Construction (4-legs)

NCP-SR3-R21

For P.GEEK trim & trimless

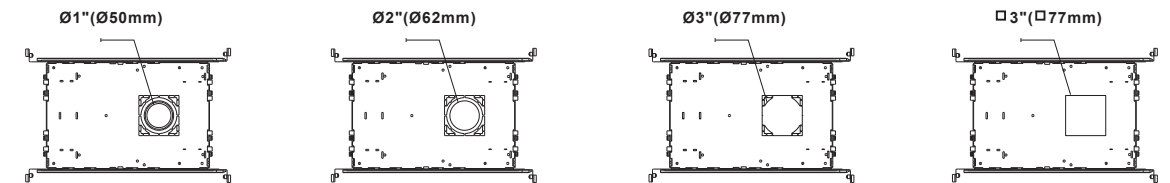
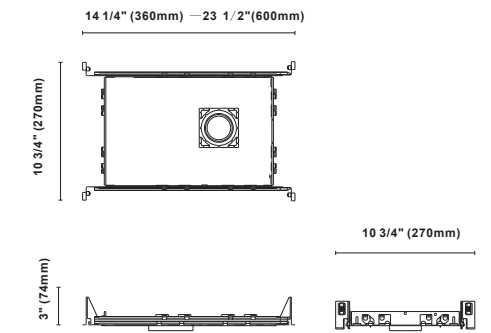
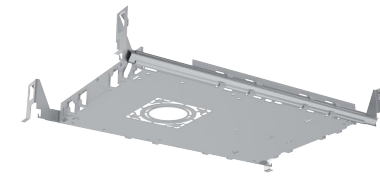
Cut out:

Round: Ø3" (Ø77mm)

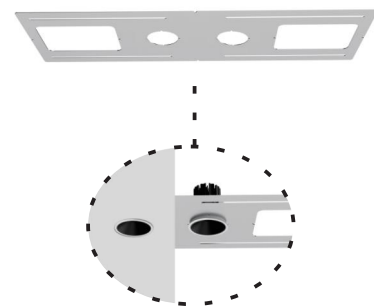
Ø2" (Ø62mm)

Ø1" (Ø50mm)

Square: □3" (□77mm)



Rough-in Plate for New-Construction



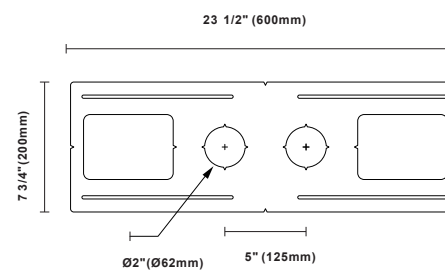
BRKT-2R60A

For P.GEEK trim & trimless

Type: New construction plate

Cut out:

Round: Ø2" * 2 (Ø62mm)



IC-Box for New-Construction (4-legs)

NCBX-SR3-R21

For P.GEEK trim & trimless

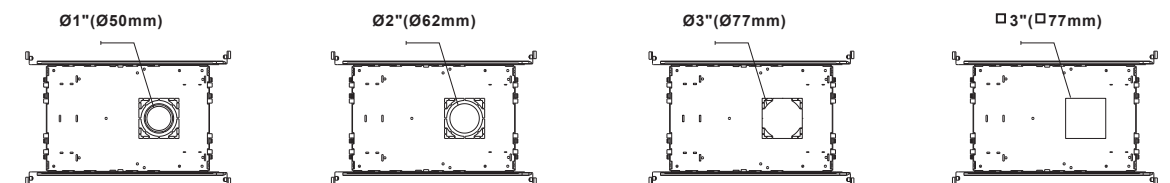
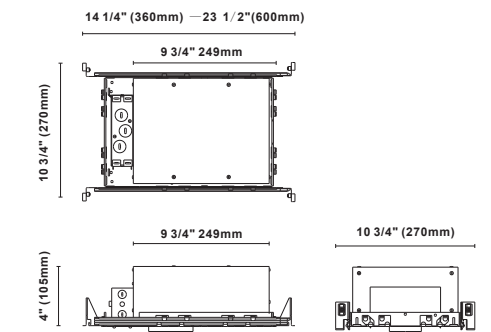
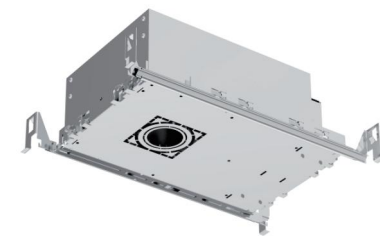
Cut out:

Round: Ø3" (Ø77mm)

Ø2" (Ø62mm)

Ø1" (Ø50mm)

Square: □3" (□77mm)

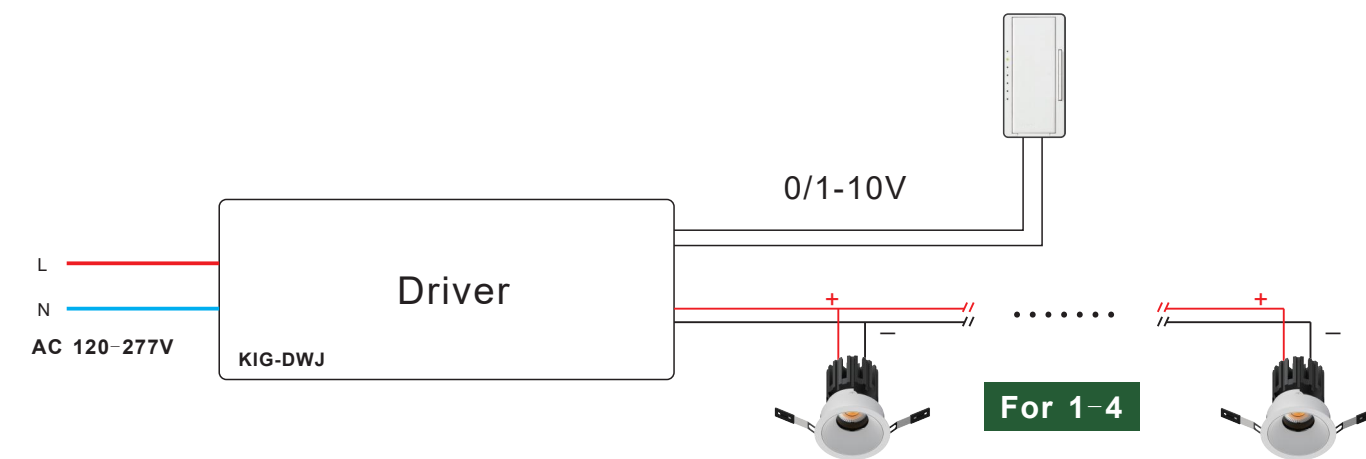
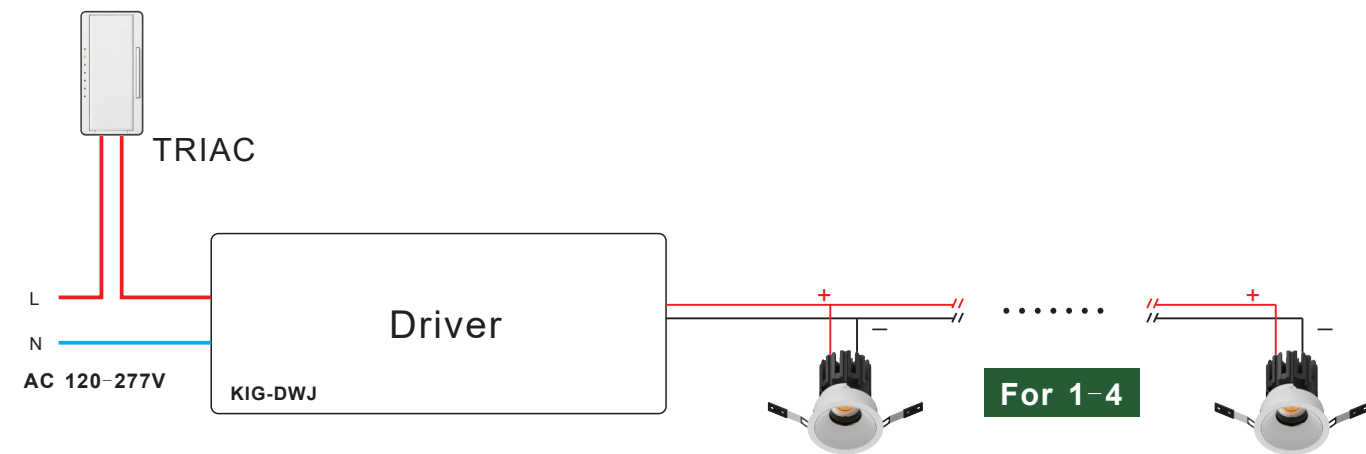
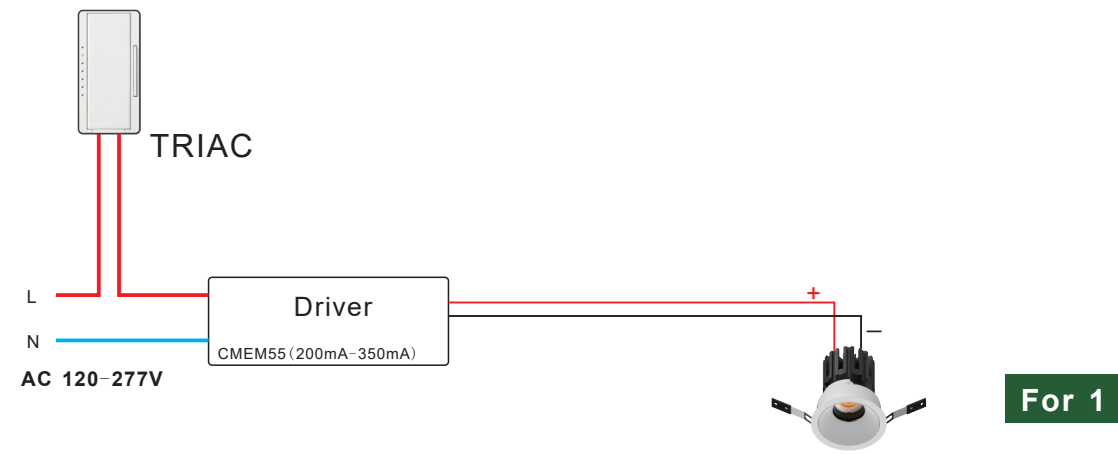


Remark

- Tailored brackets are available with a reasonable surcharge, details as below,
- The customized brackets' dimensions are still the same as the existing ones, 600*200mm
 - Hole sizes can be customized within the range of 25-100mm
 - Holes quantity can be indicated, 1-7pcs
 - Holes' positions on the bracket can be done as requests

For more information, please get in touch with XRZLux sales.

NON-IC Wire Diagram



IC Rated Wire Diagram

