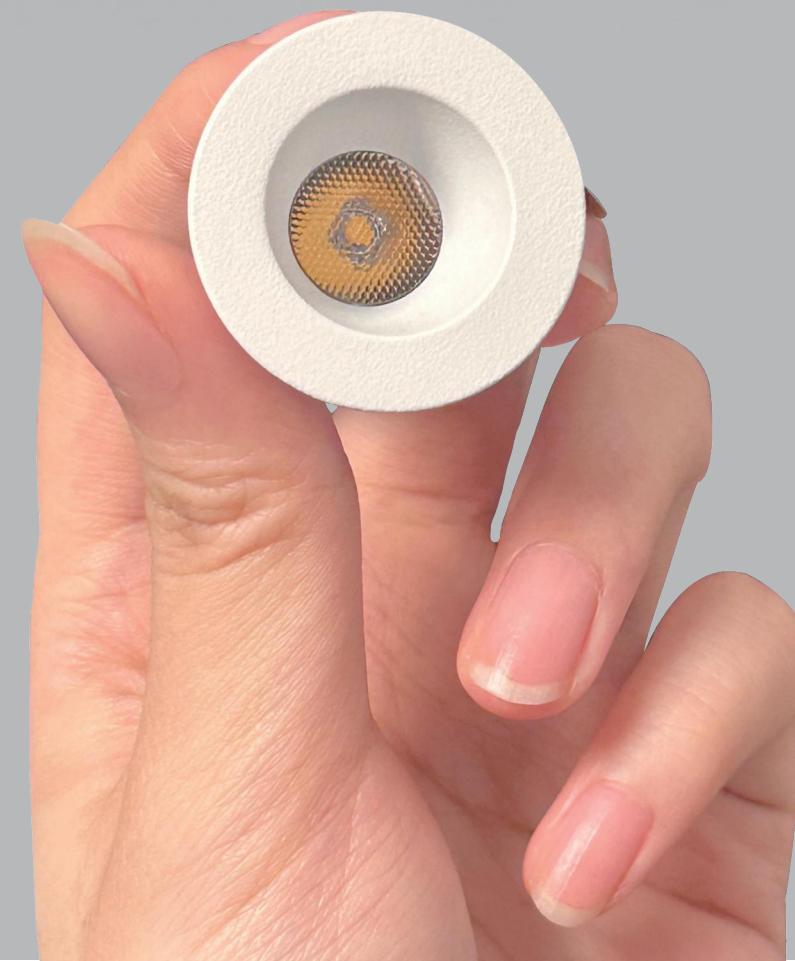
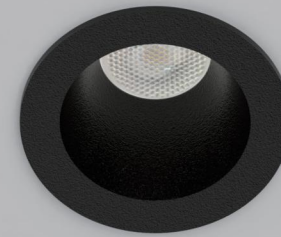
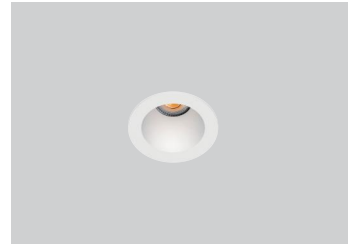


P.Geek 0"

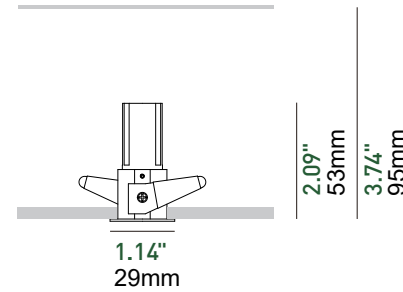
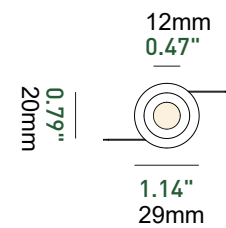




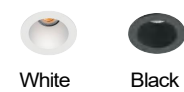
P.system	I(led)	Beam Angle	CRI	CCT	Lumens
6W	120mA	25°	90Ra	2700K	174.0 lm
				3000K	192.0 lm
				4000K	210.0 lm
6W	120mA	20°×50°	90Ra	2700K	174.0 lm
				3000K	192.0 lm
				4000K	210.0 lm



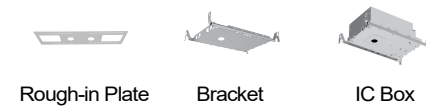
Light Source	Input Voltage	CRI	UGR	Shielding Angle
LED COB	DC36V	90Ra	< 10	38°



With Trim



Housing Options



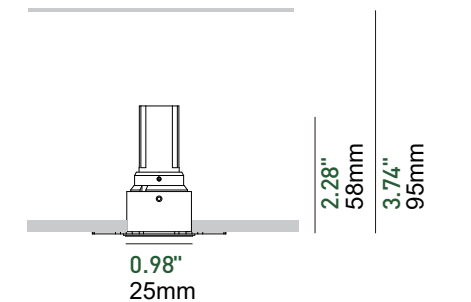
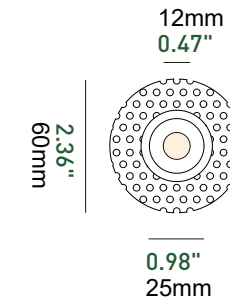
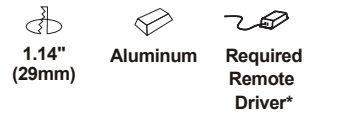
Driver: 120-277Vac ON-OFF | TRIAC | 0/1-10V | DALI



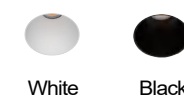
P.system	I(led)	Beam Angle	CRI	CCT	Lumens
6W	120mA	25°	90Ra	2700K	174.0 lm
				3000K	192.0 lm
				4000K	210.0 lm
6W	120mA	20°×50°	90Ra	2700K	174.0 lm
				3000K	192.0 lm
				4000K	210.0 lm



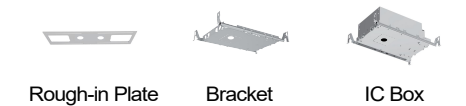
Light Source	Input Voltage	CRI	UGR	Shielding Angle
LED COB	DC36V	90Ra	< 10	38°



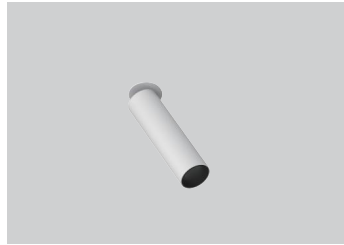
Trimless



Housing Options



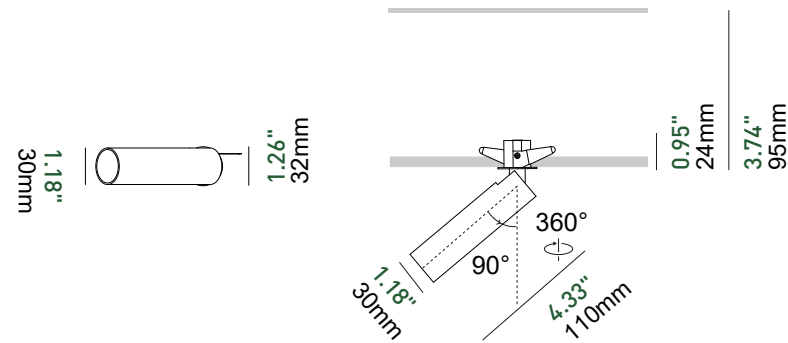
Driver: 120-277Vac ON-OFF | TRIAC | 0/1-10V | DALI



P.system	I(led)	Beam Angle	CRI	CCT	Lumens
8W	200mA	25°	97Ra	2700K	381.9 lm
				3000K	434.4 lm
				4000K	544.9 lm
8W	200mA	35°	90Ra	2700K	636.0 lm
				3000K	688.5 lm
				4000K	799.0 lm



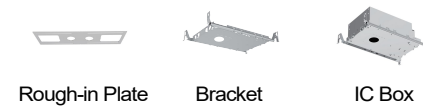
Light Source	Input Voltage	CRI	UGR	Shielding Angle
LED COB	DC36V	90Ra/97Ra	<9	31°



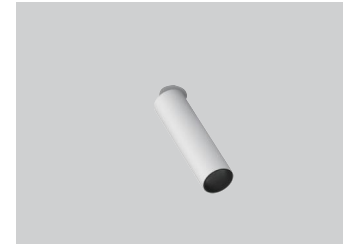
With Trim



Housing Options



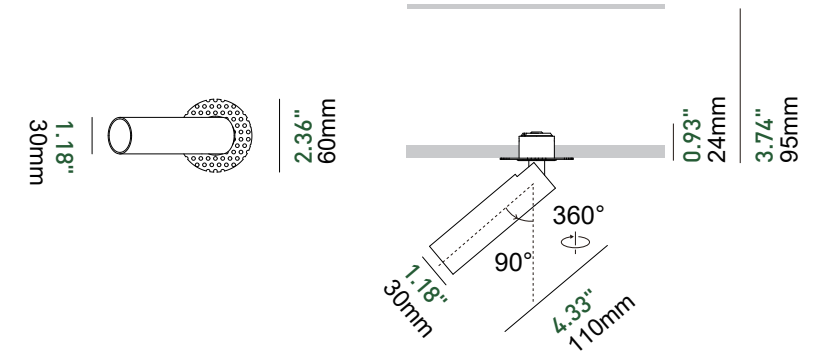
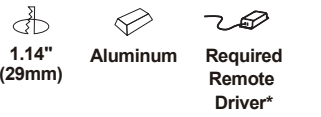
Driver: 120-277Vac ON-OFF | TRIAC | 0/1-10V | DALI



P.system	I(led)	Beam Angle	CRI	CCT	Lumens
8W	200mA	25°	97Ra	2700K	381.9 lm
				3000K	434.4 lm
				4000K	544.9 lm
8W	200mA	35°	90Ra	2700K	636.0 lm
				3000K	688.5 lm
				4000K	799.0 lm



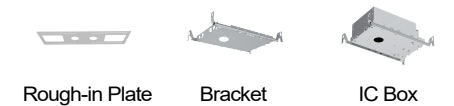
Light Source	Input Voltage	CRI	UGR	Shielding Angle
LED COB	DC36V	90Ra/97Ra	<9	31°



Trimless



Housing Options



Driver: 120-277Vac ON-OFF | TRIAC | 0/1-10V | DALI