

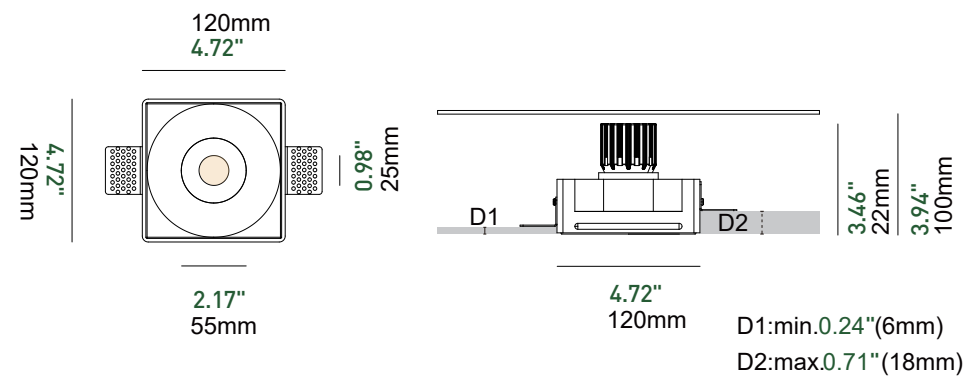




P.system	I(led)	Beam Angle	CRI	CCT	Lumens
15W	350mA	25°	97Ra	2700K	762.0 lm
				3000K	814.5 lm
				4000K	925.0 lm
15W	350mA	60°	90Ra	2700K	1331.7 lm
				3000K	1384.2 lm
				4000K	1494.7 lm



Light Source	Input Voltage	CRI	UGR	Shielding Angle
LED COB	DC36V	90Ra/97Ra	<15	39°

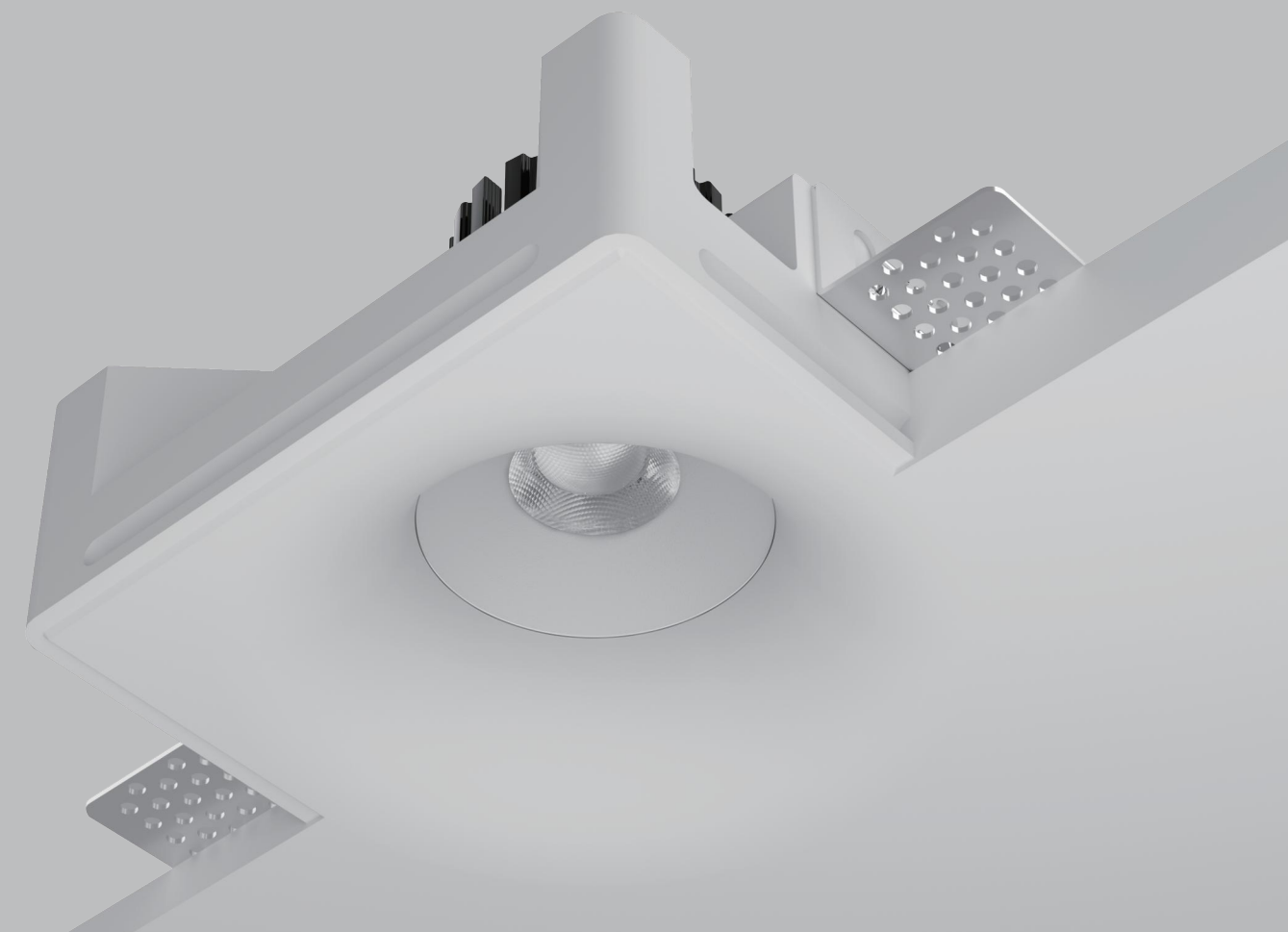


Trimless

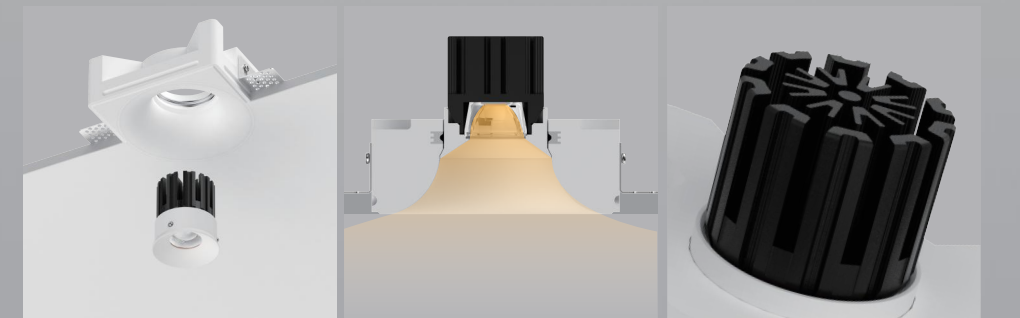


White

Driver: 120-277Vac ON-OFF | TRIAC | 0/1-10V | DALI



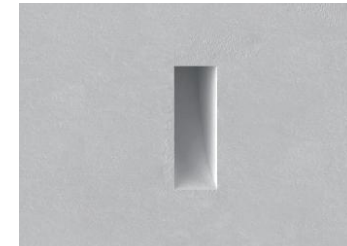
Gypsum · Concave



Split Design

LED COB Light Source

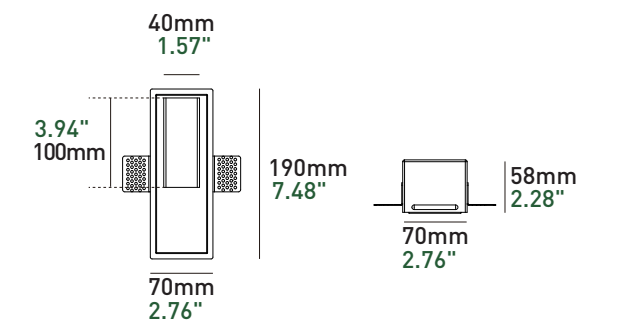
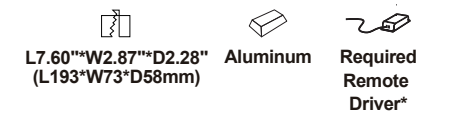
Cold Forged Pure Alu. Heat Sink



P.system	I(led)	Beam Angle	CRI	CCT	Lumens
3W	350mA	50°	95Ra	2700K	216.0 lm
				3000K	243.0 lm
				4000K	270.0 lm



Light Source	Input Voltage	CRI	UGR	Shielding Angle
LED COB	DC3V	95Ra	/	/



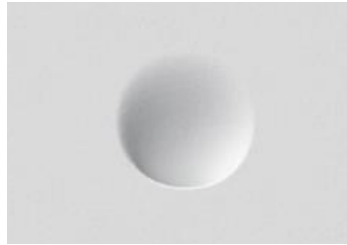
Trimless



White

Driver: 120-277Vac ON-OFF | TRIAC | 0/1-10V | DALI

Gypsum · Square



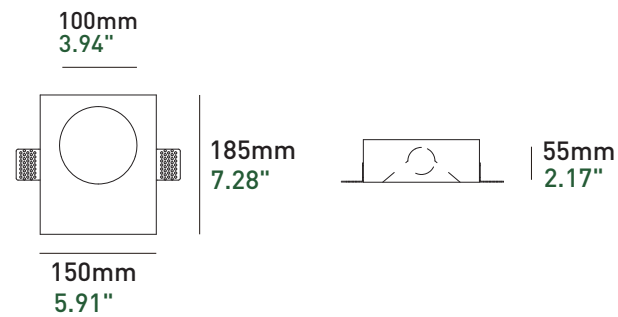
P.system	I(led)	Beam Angle	CRI	CCT	Lumens
3W	350mA	50°	95Ra	2700K	216.0 lm
				3000K	243.0 lm
				4000K	270.0 lm



Light Source	Input Voltage	CRI	UGR	Shielding Angle
LED COB	DC3V	95Ra	/	/



L7.36"*W6.02"*D2.28"
 (L187*W153*D58mm)
 Aluminum
 Required Remote Driver*



Trimless



White

Driver: 120-277Vac ON-OFF | TRIAC | 0/1-10V | DALI

Gypsum · Circle

